

VINSTGIVANDE



Design and Quality
IKEA of Sweden



Please refer to the last page of this manual for the full list of IKEA appointed Authorized Service Centre and relative national phone numbers.

ENGLISH
FRANÇAIS
ESPAÑOL

4
16
29



Consultez la dernière page de ce manuel pour la liste complète des centre d'entretien et de réparation agréés IKEA avec leur numéro de téléphone respectifs.



En la última página de este manual encontrará el listado de Centros de servicio autorizado designados por IKEA y los respectivos números de teléfono nacionales.

Contents

Safety Information	4	What to do if ...	10
Use	7	Technical data	11
Product description	8	Environmental concerns	12
Control panel	8	IKEA Limited Guarantee	13
Cleaning and maintenance	8		

Safety Information

Before first use

Your safety and that of others is paramount.


Remove cardboard protection pieces, protective film and adhesive labels from accessories.

Check the appliance for any transport damage.


To avoid any damage do not place any weights on the appliance.


Do not expose the appliance to atmospheric agents.

This manual and the appliance itself provide important safety warnings, to be read and observed at all times.

 This is the attention symbol, pertaining to safety, which alerts users to potential risks to themselves and others.

All safety warnings are preceded by the attention symbol and the following terms:


 **DANGER:** indicates a hazardous situation which, if not avoided, will cause serious injury.

 **WARNING:** Indicates a hazardous situation which, if not avoided, could cause serious injury.

All safety warnings give specific details of the potential danger/warning present and indicate how to reduce risk of injury, damage and electric shock resulting from improper use of the appliance. Carefully observe the following instructions.

IMPORTANT SAFETY INSTRUCTIONS

READ AND SAVE THESE INSTRUCTIONS

 **WARNING:** TO REDUCE THE RISK OF FIRE, ELECTRIC SHOCK, OR INJURY TO PERSONS, OBSERVE THE FOLLOWING:

- Use this unit only in the manner intended by the manufacturer. If you have questions, contact the manufacturer.
- Before servicing or cleaning the unit, switch power off at service panel and lock the service disconnecting means to prevent power from being switched on accidentally. When the service disconnecting means cannot be locked, securely fasten a prominent warning device, such as a tag to the service panel.
- Installation work and electrical wiring must be done by qualified person(s) in accordance with all applicable codes and standards, including fire-rated construction.

- Sufficient air is needed for proper combustion and exhausting of gases through the flue (chimney) of fuel burning equipment to prevent backdrafting. Follow the heating equipment manufacturer's guideline and safety standards such as those published by the National Fire Protection Association (NFPA), the American Society for Heating, Refrigeration and Air Conditioning Engineers (ASHRAE), and the local code authorities.
- When cutting or drilling into wall or ceiling; do not damage electrical wiring and other utilities.
- Ducted fans must always be vented outdoors.

CAUTION: For general ventilating use only. Do not use to exhaust hazardous or explosive materials and vapors.

Suitable for use in household cooking area.


CAUTION: To reduce risk of fire and to properly exhaust air, be sure to duct air outside - do not vent exhaust air into spaces within walls or ceilings, attics or into crawl spaces, or garages.

 **WARNING:** TO REDUCE THE RISK OF FIRE, USE ONLY METAL DUCTWORK

 **WARNING:** TO REDUCE THE RISK OF A RANGE TOP GREASE FIRE:

- Never leave surface units unattended at high settings. Boilovers cause smoking and greasy spillovers that may ignite. Heat oils slowly on low or medium settings.
- Always turn hood ON when cooking at high heat or when flambeing food (i.e. Crepes Suzette, Cherries Jubilee, Peppercorn Beef Flambé).

- Clean ventilating fans frequently. Grease should not be allowed to accumulate on fan or filter.
- Use proper pan size. Always use cookware appropriate for the size of the surface element.


 **WARNING:** TO REDUCE THE RISK OF INJURY TO PERSONS IN THE EVENT OF A RANGE TOP GREASE FIRE, OBSERVE THE FOLLOWING:^a

- SMOTHER FLAMES with a close fitting lid, cookie sheet, or metal tray, then turn off the burner. BE CAREFUL TO PREVENT BURNS. If the flames do not go out immediately, EVACUATE AND CALL THE FIRE DEPARTMENT.
- NEVER PICK UP A FLAMING PAN - you may be burned.
- DO NOT USE WATER, including wet dishcloths or towels - a violent steam explosion will result.

Use an extinguisher ONLY if:

- You know you have a class ABC extinguisher, and you already know how to operate it.
- The fire is small and contained in the area where it started.
- The fire department is being called.
- You can fight the fire with your back to an exit.


^aBased on "Kitchen Fire Safety Tips" published by NFPA.

 **WARNING:** To Reduce The Risk Of Fire Or Electric Shock, Do Not Use This Fan With Any Solid-State Speed Control Device.

Installation and connection

- In the event of problems, contact the Authorized Service Centre. To prevent any damage, only remove the appliance from its packaging at the time of installation.

Preparing for installation

 **WARNING:** This is a heavy product; the hood should only be lifted and installed by two or more people.

Electrical Requirements

Observe all governing codes and ordinances.

Ensure that the electrical installation is adequate and in conformance with National Electrical Code, ANSI/NFPA 70 (latest edition), or CSA Standards C22.1-94, Canadian Electrical Code, Part 1 and C22.2 No. 0-M91 (latest edition) and all local codes and ordinances.

If codes permit and a separate ground wire is used, it is recommended that a qualified electrician determine that the ground path is adequate.

A copy of the above code standards can be obtained from:

National Fire Protection Association
1 Batterymarch Park
Quincy, MA 02169-7471
CSA International
8501 East Pleasant Valley Road
Cleveland, OH 44131-5575

- A 120 volt, 60 Hz., AC only, 15-amp, fused electrical circuit is required.
- If the house has aluminum wiring, follow the procedure below:
 1. Connect a section of solid copper wire to the pigtail leads.
 2. Connect the aluminum wiring to the added section of copper wire using special connectors and/or tools designed and UL listed for joining copper to aluminum.

Follow the electrical connector manufacturer's recommended procedure. Aluminum/copper connection must conform with local codes and industry accepted wiring practices.

- Wire sizes and connections must conform with the rating of the appliance as specified on the model serial rating plate. The model/serial plate is located behind the filter on the rear wall of the range hood.
- Wire sizes must conform to the requirements of the National Electrical Code, ANSI/NFPA 70 (latest edition), or CSA Standards C22. 1-94, Canadian Electrical Code, Part 1 and C22.2 No. 0-M91 (latest edition) and all local codes and ordinances.

Use

The hood has been designed to be installed and used either as a "Extraction installation".

Extraction installation (see symbol in installation booklet)

Cooking steam is sucked and channelled outside the house through a discharge duct (not supplied), fitted to the hood steam outlet.

Ensure that the discharge duct is correctly fitted to the air outlet, unit using an appropriate connection system.

Recirculation installation (see symbol in installation booklet)

The air is filtered through one or more the charcoal filters, and then resented into room.

Important: Ensure appropriate air circulation around the hood.

Important: If the hood is supplied without charcoal filters, these must be fitted before the hood can be used. Charcoal Filters are available in IKEA shops.

The hood should be installed away from particularly dirty areas, windows, doors and heat sources.

Keep this booklet for future consultation.

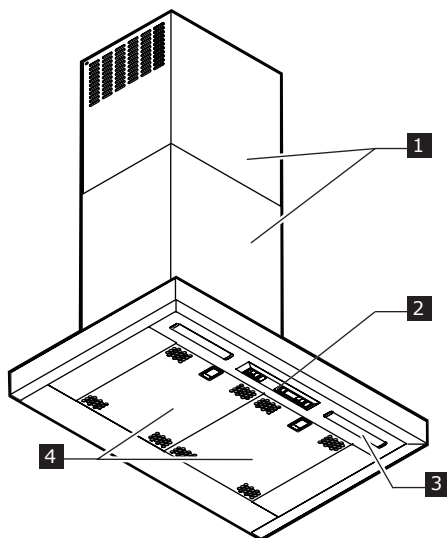
WARNING!

To reduce the risk of fire or shock when the hood is used in recirculation mode, use only the conversion kit models listed below:

Recirculating kit: NYTTIG 10 204.711.60

Charcoal Filter Replacement kit: NYTTIG FIL 01 404.770.43

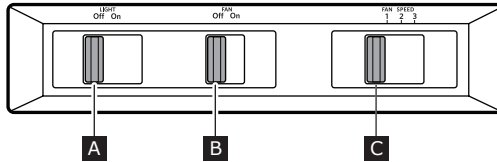
Product description



- 1 Chimney.
- 2 Control Panel.
- 3 Light.
- 4 Grease filter.

Control panel

- A** Light OFF- Intensity 1 slide button
- B** Fan ON - OFF slide button
- C** Fan Speed 1 - 2 - 3 slide button



Cleaning and maintenance

⚠ WARNING:

- Never use steam cleaning equipment.
- Disconnect the appliance from the power supply.

IMPORTANT: do not use corrosive or abrasive detergents. If any of these products accidentally comes into contact with the appliance, clean immediately with a damp cloth. Clean the surfaces with a damp cloth. If it is very dirty, add a few drops of washing up detergent to the water. Finish off with a dry cloth.

IMPORTANT: do not use abrasive sponges or metallic scrapers or scourers. Over time, these can ruin the surface.

- Use detergents specifically designed for cleaning the appliance and follow the manufacturer instructions.

IMPORTANT: clean the filters at least monthly to remove any oil or grease residuals.

To clean the grease filter

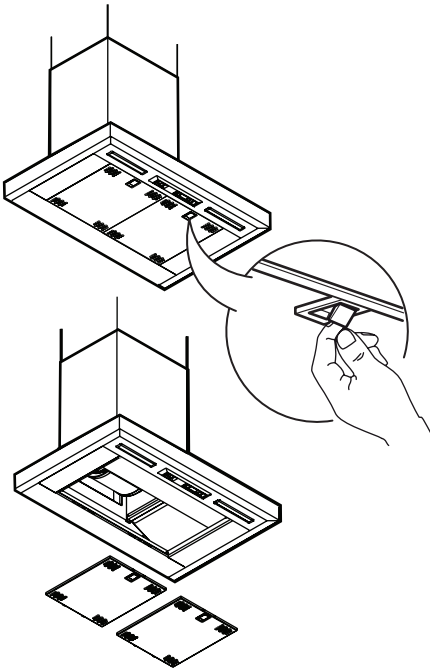
The metal grease filter has an unlimited life and must be washed once a month by hand or dishwasher at low temperature and with a short cycle. With cleaning in a dishwasher the grease filter may become dull; this does not effect its filtering capacity.

Grease filter maintenance:

3. Disconnect the hood from the electric power supply.
4. Remove the grease filters: pull the spring release handle downwards, then remove the filter.
5. After cleaning the grease filter, remount in reverse order ensuring the entire extraction surface is covered.

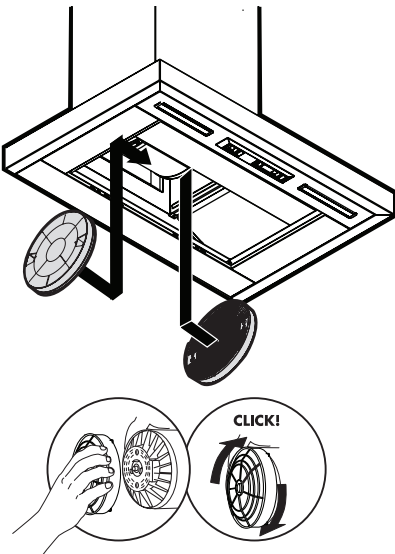
Lamp maintenance

The hood is equipped with a lighting system based on LED technology. The LEDs guarantee an optimum lighting, a duration up to 10 times as long as the traditional lamps and allow to save 90% electrical energy. For replacement, contact the Authorized Service Centre.



Charcoal filter:

The charcoal filter is not washable. It should last up to 6 months with normal use.



What to do if ...

Problem	Possible cause	Solution
The appliance does not work	There is no mains electrical power	Check for the presence of mains electrical power. Turn off the appliance and restart it to see if the faults persists.
	The appliance is not connected to the electrical supply	Check if the appliance is connected to the electrical supply. Turn off the appliance and restart it to see if the faults persists.
The hood's suction level is not enough	The suction speed is too low	Check the suction speed and adjust as necessary.
	The grease filters are dirty 4	Check that the filters are clean. If not, clean the filters in the dishwasher.
	The air vents are obstructed	Check the air vents for any obstructions and remove as necessary.
The light does not work	The LED is broken 3	For replacement, contact the Authorized Service Centre.

Before contacting the Authorized Service Centre

Switch the appliance on again to see if the problem has disappeared. If not, switch it off again and repeat the operation after an hour.

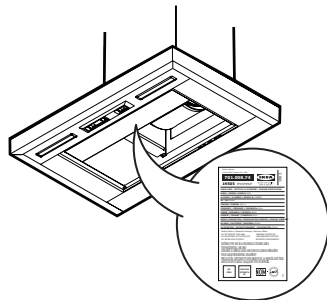
- If your appliance still does not work properly after carrying out the checks listed in the troubleshooting guide and switching the appliance on again, contact the Authorized Service Centre, clearly explaining the problem and specifying:

- the type of fault;
- the model;
- the type and serial number of the appliance (given on the rating plate)

Technical data

Type of product		Wall hood	
Model		VINSTGIVANDE 504-660-01 & 104-621-42	
Dimensions	Width	in (mm)	36" (912 mm)
	Depth	in (mm)	19 ³ / ₄ " (500 mm)
	Height min	in (mm)	4 ¹¹ / ₁₆ " (627 mm)
	Height max	in (mm)	43 ⁶ / ₈ " (1112 mm)
Tension		V	120 V~
Frequency		Hz	60 Hz
Power		W	280 W
Current		A	2.3 A
Energy Consumption	On Hold	Wh	0 Wh
	In Operation	Wh	280 Wh
Lamps info	Type		LED
	Number & Max Lamp Power	W	2 x 6.5 W
Installation minimum height - gas cooktop		in (mm)	32" (813 mm)
Installation minimum height - elec cooktop		in (mm)	24" (610 mm)
Product Weight		Kg	17.2 kg

The technical information is situated in the rating plate on the internal side of the appliance.



Environmental concerns

Disposal of packing

The various parts of the packing must be disposed of responsibly and in full compliance with local authority regulations governing waste disposal.

Scrapping the product

-- By ensuring this product is disposed of correctly, you will help prevent potential negative consequences for the environment and human health, which could otherwise be caused by inappropriate waste handling of this product. This product should not be treated as domestic waste but must be taken to an appropriate collection centre for the recycling of electrical and electronic equipment.

Scrapping of household appliances

- This appliance is manufactured with recyclable or reusable materials. Dispose of it in accordance with local waste disposal regulations. Before scrapping, cut off the power supply cable.
- For further information on the treatment, recovery and recycling of household electrical appliances, contact your competent local authority, the collection service for household waste or the store where you purchased the appliance.

Energy saving tips

- Increase the speed only in case of large amount of smoke and vapour and use boost speed(s) only in extreme situations.
- Replace the charcoal filter(s) when necessary to maintain a good odour reduction efficiency.
- Clean the grease filter(s) when necessary to maintain a good grease filter efficiency.
- Use the maximum diameter of the ducting system indicated in this manual to optimize efficiency and minimize noise.

IKEA LIMITED GUARANTEE

How long is the IKEA guarantee valid?

This guarantee is valid for five (5) years from the original date of purchase of Your appliance at IKEA, unless the appliance is named LAGAN or TILLREDA in which case two (2) years of guarantee apply. The original sales receipt is required as proof of purchase. If service work is carried out under guarantee, this will not extend the guarantee period for the appliance

Who will execute the service?

IKEA "Service Provider" will provide the service through its own service operations or authorized service partner network.

What does this guarantee cover?

The guarantee covers faults of the appliance, which have been caused by faulty construction or material faults from the date of purchase from IKEA. This guarantee applies to domestic use only. Some exceptions not guaranteed are specified under the headline "What is not covered under this guarantee?" Within the guarantee period, the costs to remedy the fault (e.g., repairs, parts, labour and travel) will be covered, provided that the appliance is accessible for repair without special expenditure. On these conditions the local regulations are applicable. Replaced parts become the property of IKEA.

What will IKEA do to correct the problem?

IKEA appointed Service Provider will examine the product and decide, at its sole discretion, if it is covered under this guarantee. If considered covered, IKEA Service Provider or its authorized service partner through its own service operations, will then, at its sole discretion, either repair the defective product or replace it with the same or a comparable product.

What is not covered under this guarantee?

- Normal wear and tear.
- Deliberate or negligent damage, damage caused by failure to observe operating instructions, incorrect installation or by connection to the wrong voltage, damage caused by chemical or electrochemical reaction, rust, corrosion or water damage including but not limited to damage caused by excessive lime in the water supply, damage caused by abnormal environmental conditions.
- Consumable parts including batteries and lamps.
- Non-functional and decorative parts which do not affect normal use of the appliance, including any scratches and possible colour differences.
- Accidental damage caused by foreign objects or substances and cleaning or unblocking of filters, drainage systems or soap drawers.

- Damage to the following parts: ceramic glass, accessories, crockery and cutlery baskets, feed and drainage pipes, seals, lamps and lamp covers, screens, knobs, casings and parts of casings. Unless such damages can be proved to have been caused by production faults.
- Cases where no fault could be found during a technician's visit.
- Repairs not carried out by our appointed service providers and or an authorized service contractual partner or where non-original parts have been used.
- Repairs caused by installation which is faulty or not according to specification.
- The use of the appliance in a non-domestic environment i.e. professional use.
- Transportation damages. If a customer transports the product to his home or another address, IKEA is not liable for any damage that may occur during transport. However, if IKEA delivers the product to the customer's delivery address, then damage to the product that occurs during this delivery will be covered by IKEA.
- Cost for carrying out the initial installation of the IKEA appliance. However, if an IKEA appointed Service Provider or its authorized service partner repairs or replaces the appliance under the terms of this guarantee, the appointed Service Provider or its authorized service partner will reinstall the repaired appliance or install the replacement, if necessary.

How country law applies

The IKEA guarantee gives you specific legal rights, and you may also have other rights which vary from state to state or jurisdiction to jurisdiction. However these conditions do not limit in any way consumer rights described in the local legislation.

Area of validity

For appliances which are purchased in United States or Canada, or moved to one of the mentioned countries, the services will be provided in the framework of the guarantee conditions normal in the specified country.

An obligation to carry out services in the framework of the guarantee exists only if the appliance complies and is installed in accordance with:

- the technical specifications of the country in which the guarantee claim is made;
- the Assembly Instructions and User Manual Safety Information.

The dedicated AFTER SALES for IKEA appliances

Please don't hesitate to contact IKEA appointed After Sales Service Provider to:

- make a service request under this guarantee;
- ask for clarifications on installation of the IKEA appliance in the dedicated IKEA kitchen furniture;
- ask for clarification on functions of IKEA appliances.

To ensure that we provide you with the best assistance, please read carefully the Assembly Instructions and/or the User Manual before contacting us.

How to reach us if you need our service



Phone number:
(833) 337 - 4006
Opening Hours:
Monday - Friday
8:30am - 8:00 pm EST

i **In order to provide you a quicker service, we recommend to use the specific phone numbers listed on this manual. Always refer to the numbers listed in the booklet of the specific appliance you need an assistance for. Please also always refer to the IKEA article number (8 digit code) placed on the rating plate of your appliance.**

i **SAVE THE SALES RECEIPT!**
It is your proof of purchase and required for the guarantee to apply. The sales receipt also reports the IKEA name and article number (8 digit code) for each of the appliances you have purchased.

Do you need extra help?
For any additional questions not related to After Sales of your appliances please contact your nearest IKEA store call centre.
We recommend you read the appliance documentation carefully before contacting us.

Index

Informations relatives à la sécurité	16	Ce qu'il convient de faire si...	23
Utilisation	19	Données techniques	24
Description de l'appareil	20	Protection de l'environnement	25
Bandeau de commandes	20	Garantie Limitée IKEA	26
Nettoyage et entretien	21		

Informations relatives à la sécurité


Avant la première utilisation

Accordez toujours la priorité à la sécurité.


Retirez les protections en carton, les films transparents et les étiquettes autocollantes présentes sur les accessoires.


Vérifiez que l'appareil n'a pas été endommagé pendant le transport. Pour éviter tout endommagement, ne placez aucun poids sur l'appareil. Évitez d'exposer l'appareil aux agents atmosphériques.

D'importants messages relatifs à la sécurité figurent dans le présent manuel et sur l'appareil. Nous vous invitons à les lire attentivement et à les observer en toute circonstance.

 Ceci est le symbole de précaution sécuritaire. Il met en garde l'utilisateur et toute autre personne contre les risques potentiels dérivant de l'utilisation de cet appareil.


Tous les avertissements concernant la sécurité sont précédés par le symbole de précaution et les termes suivants :

 **DANGER:** Indique une situation dangereuse qui, si elle n'est pas évitée, provoque des blessures graves.

 **AVERTISSEMENT:** Indique une situation dangereuse qui, si elle n'est pas évitée, est susceptible de provoquer des blessures graves. Les avertissements concernant la sécurité incluent tous des informations détaillées sur les dangers/risques potentiels présents, et indiquent comment réduire le risque de blessures, de dommages et de choc électrique résultant d'une utilisation incorrecte de l'appareil. Observez scrupuleusement les instructions suivantes.

IMPORTANTES INSTRUCTIONS DE SÉCURITÉ

LIRE ET CONSERVER CES INSTRUCTIONS

 **AVERTISSEMENT :** POUR RÉDUIRE LE RISQUE D'INCENDIE, CHOC ÉLECTRIQUE OU DOMMAGES CORPORELS, RESPECTER LES INSTRUCTIONS SUIVANTES:

- Utiliser cet appareil uniquement dans les applications envisagées par le fabricant. Pour toute question, contacter le fabricant.

- Avant d'entreprendre un travail d'entretien ou de nettoyage, interrompre l'alimentation de la hotte au niveau du tableau de disjoncteurs, et verrouiller le tableau de disjoncteurs pour empêcher tout rétablissement accidentel de l'alimentation du circuit.
Lorsqu'il n'est pas possible de verrouiller le tableau de disjoncteurs, placer sur le tableau de disjoncteurs une étiquette d'avertissement prééminente interdisant le rétablissement de l'alimentation.
- Tout travail d'installation ou câblage électrique doit être réalisé par une personne qualifiée, dans le respect des prescriptions de tous les codes et normes applicables, y compris les codes du bâtiment et de protection contre les incendies.
- Une source d'air de débit suffisant est nécessaire pour le fonctionnement correct de tout appareil à gaz (combustion et évacuation des gaz à combustion par la cheminée), pour qu'il n'y ait pas de reflux des gaz de combustion. Respecter les directives du fabricant de l'équipement de chauffage et les prescriptions des normes de sécurité - comme celles publiées par la National Fire Protection Association (NFPA) et l'American Society for Heating, Refrigeration and Air Conditioning Engineers (ASHRAE), et les prescriptions des autorités réglementaires locales.
- Lors d'opérations de découpage et de perçage dans un mur ou un plafond, veiller à ne pas endommager les câblages électriques ou canalisations qui peuvent s'y trouver.
- Les ventilateurs d'évacuation doivent toujours décharger l'air à l'extérieur.

MISE EN GARDE : Cet appareil est conçu uniquement pour la ventilation générale. Ne pas l'utiliser pour l'extraction de matières ou vapeurs dangereuses ou explosives.

Convient pour une utilisation dans la zone de cuisson domestique.

MISE EN GARDE : Pour minimiser le risque d'incendie et évacuer adéquatement les gaz, veiller à acheminer l'air aspiré par un conduit jusqu'à l'extérieur - ne pas décharger l'air aspiré dans un espace vide du bâtiment comme une cavité murale, un plafond, un grenier, un vide sanitaire ou un garage.

⚠ AVERTISSEMENT : POUR RÉDUIRE LE RISQUE D'INCENDIE, UTILISER UNIQUEMENT DES CONDUITS MÉTALLIQUES.

AVERTISSEMENT : POUR RÉDUIRE LE RISQUE D'INCENDIE, CHOC ÉLECTRIQUE OU DOMMAGES CORPORELS, RESPECTER LES INSTRUCTIONS SUIVANTES:

- Ne jamais laisser un élément de surface fonctionner à puissance de chauffage maximale sans surveillance.
Un renversement/débordement de matière grasseuse pourrait provoquer une inflammation et la génération de fumée.
Utiliser une puissance de chauffage moyenne ou basse pour le chauffage d'huile.
- Veiller à toujours faire fonctionner le ventilateur de la hotte lors de la cuisson avec une puissance de chauffage élevée ou lors de la cuisson d'un mets à flamber (à savoir crêpes Suzette, cerise jubilee, steak au poivre flambé).
- Nettoyer fréquemment les ventilateurs d'extraction.
Veiller à ne pas laisser la graisse s'accumuler sur les surfaces du ventilateur ou des filtres.

- Utiliser toujours un ustensile de taille appropriée. Utiliser toujours un ustensile adapté à la taille de l'élément chauffant.

⚠ AVERTISSEMENT :
 POUR RÉDUIRE LE RISQUE
 DE DOMMAGES CORPORELS
 APRÈS LE DÉCLENCHEMENT
 D'UN FEU DE GRAISSE SUR LA
 CUISINIÈRE, APPLIQUER LES
 RECOMMANDATIONS SUIVANTES :^a

- Placer sur le récipient u couvercle bien ajusté, une tôle à biscuits ou un plateau métallique POUR ÉTOUFFER LES FLAMMES, puis éteindre le brûleur. VEILLER À ÉVITER LES BRÛLURES. Si les flammes ne s'éteignent pas immédiatement, EVACUER LA PIÈCE ET APPELER LES POMPIERS.
- NE JAMAIS PRENDRE EN MAIN UN RÉCIPIENT ENFLAMMÉ - vous risquez de vous brûler.
- NE PAS UTILISER D'EAU, ni un torchon humide - ceci pourrait provoquer une explosion de vapeur brûlante.

Utiliser un extincteur SEULEMENT si :

- Il s'agit d'un extincteur de classe ABC, dont on connaît le fonctionnement.
- Il s'agit d'un petit feu encore limité à l'endroit où il s'est déclaré.
- Les pompiers ont été contactés.
- Il est possible de garder le dos orienté vers une sortie pendant l'opération de lutte contre le feu.

^aRecommandations tirées des conseils de sécurité en cas d'incendie de cuisine publiés par la NFPA.

⚠ AVERTISSEMENT : Pour réduire le risque d'incendie ou de choc électrique, ne pas utiliser ce ventilateur avec un quelconque dispositif de réglage de la vitesse à semiconducteurs.

Installation et raccordement

En cas de problèmes, veuillez contacter un centre d'assistance autorisé. Pour éviter d'endommager l'appareil, il est recommandé de le retirer de l'emballage uniquement au moment de l'installation.

Préparation en vue de l'installation

⚠ AVERTISSEMENT: Au moins deux personnes sont nécessaires pour soulever et installer la hotte.

Spécifications Électriques

Observer les dispositions de tous les codes et règlements en vigueur. S'assurer que l'installation électrique est correcte et qu'elle satisfait aux exigences de la plus récente édition de la norme National Electrical Code, ANSI/NFPA 70, ou de la norme CSA C22. 1-94, Code canadien de l'électricité, partie 1 et C22.2 n° 0-M91 (dernière édition) et de tous les codes et règlements en vigueur.

Si les codes le permettent et si l'on utilise un conducteur distinct de liaison à la terre, il est recommandé qu'un électricien qualifié vérifie la qualité de la liaison à la terre. Pour obtenir un exemplaire des normes des codes ci-dessus, contacter:

National Fire Protection Association
 1 Batterymarch Park
 Quincy, MA 02169-7471
 CSA International
 8501 East Pleasant Valley Road
 Cleveland, OH 44131-5575

- L'appareil doit être alimenté par un circuit de 120 V, CA seulement, 60 Hz, 15 ampères, protégé par fusible.
- Si le domicile possède un câblage en aluminium, suivre la procédure ci dessous :
 1. Raccorder une section de câble en cuivre massif aux conducteurs en queue de cochon.
 2. Connecter le câblage en aluminium à la section ajoutée de câblage en cuivre en utilisant des connecteurs et/ou des outils spécialement conçus et homologués UL pour fixer le cuivre à l'aluminium.

Suivre la procédure recommandée par le fabricant de connecteurs électriques.

Les raccordements aluminium/cuivre doivent satisfaire aux prescriptions des codes locaux et de l'industrie, et être conformes aux pratiques de câblage reconnues.

- Le calibre des conducteurs et les connexions doivent être compatibles avec les caractéristiques électriques de l'appareil spécifiées sur la plaque signalétique. La plaque signalétique de l'appareil est située derrière le filtre, sur la paroi arrière de la hotte.
- Le calibre des conducteurs doit être conforme aux exigences du National Electrical Code, de la plus récente édition de la norme ANSI/NFPA 70 ou des normes CSA C22. 1-94, Code canadien de l'électricité, partie 1 et C22.2 n° 0-M91 (édition la plus récente) et de tous les codes et règlements en vigueur.

Utilisation

La hotte a été conçue pour être installée et utilisée soit sous la forme d'une "Installation par extraction".

Installation par extraction (voir le symbole dans le livret d'installation)

La vapeur de cuisson est aspirée et évacuée à l'extérieur de l'habitation via une conduite d'évacuation (non fournie), installée sur la sortie de vapeur de la hotte.

- Assurez-vous que la conduite d'évacuation est correctement installée sur la sortie d'air à l'aide du système de raccordement approprié.

Installation par recirculation

(voir le symbole  dans le livret d'installation)

L'air est filtré via un ou plusieurs filtres à charbon, puis est rejeté dans la pièce.

Remarque importante : Assurez une circulation appropriée de l'air autour de la hotte.

Remarque importante : Si la hotte est fournie sans filtres au charbon, vous devez les commander et les installer avant d'utiliser la hotte. Les filtres sont disponibles dans les magasins IKEA.

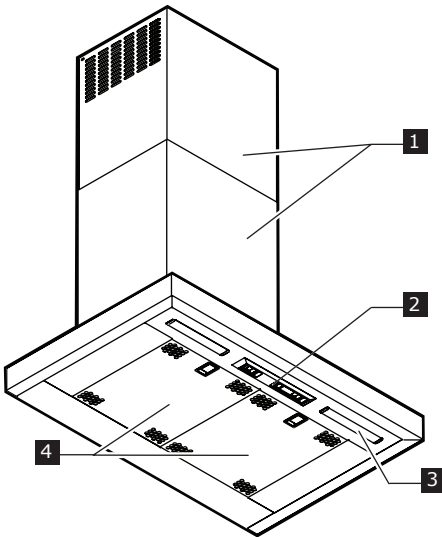
La hotte doit être installée à l'écart de zones particulièrement sales, de fenêtres, de portes et de sources de chaleur.

Pour plus d'informations, contactez un revendeur spécialisé.
Conservez le présent livret pour toute consultation future.

⚠ AVERTISSEMENT!

Pour réduire les risques d'incendie ou d'électrocution lorsque la hotte est utilisée en mode de recirculation, utilisez uniquement les modèles de kit de conversion répertoriés ci-dessous:
Kit de recirculation: NYTTIG 10 204.711.60
Filtre à charbon Kit de remplacement: NYTTIG FIL 01 404.770.43

Description de l'appareil



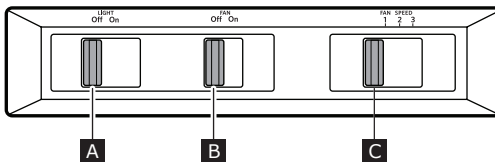
- 1 Cheminée télescopique
- 2 Bandeau de commande
- 3 Filtre à graisses
- 4 Lampes

Bandeau de commandes

A Bouton coulissant du éteinte, et intensité 1 du lumière

B Bouton coulissant du marche / arrêt du moteur

C Bouton coulissant du vitesse 1 - 2 - 3 du ventilateur



Nettoyage et entretien

⚠ AVERTISSEMENT:

- N'utilisez jamais d'appareil de nettoyage à la vapeur
- Débranchez la hotte de l'alimentation électrique.

REMARQUE IMPORTANTE:

N'utilisez ni produits corrosifs ni détergents abrasifs. En cas de contact accidentel d'un tel produit avec l'appareil, essuyez-le immédiatement à l'aide d'un chiffon humidifié.

- Nettoyez les surfaces à l'aide d'un chiffon humide. Si elles sont particulièrement sales, utilisez de l'eau additionnée de quelques gouttes de liquide à vaisselle. Essuyez avec un chiffon sec.

REMARQUE IMPORTANTE: Évitez d'utiliser des éponges abrasives et/ou des pailles de fer. À la longue, elles risqueraient d'endommager la surface.

Utilisez des détergents spécifiquement conçus pour le nettoyage de l'appareil et suivez les instructions du fabricant.

REMARQUE IMPORTANTE: nettoyez les filtres au moins une fois par mois pour enlever les résidus d'huile ou de graisse.

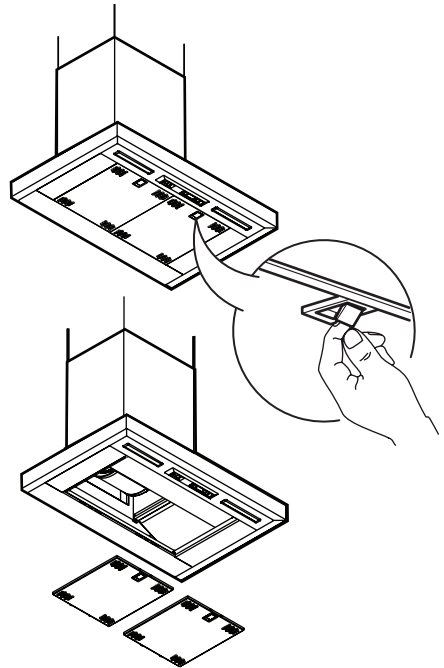
Nettoyage du filtre à graisses

Le filtre métallique à graisses a une durée illimitée et doit être lavé une fois par mois à la main ou au lave-vaisselle à basse température, en sélectionnant un cycle court.

Si vous le nettoyez en machine, il se peut que le filtre à graisses devienne opaque, ce qui ne réduit nullement son efficacité.

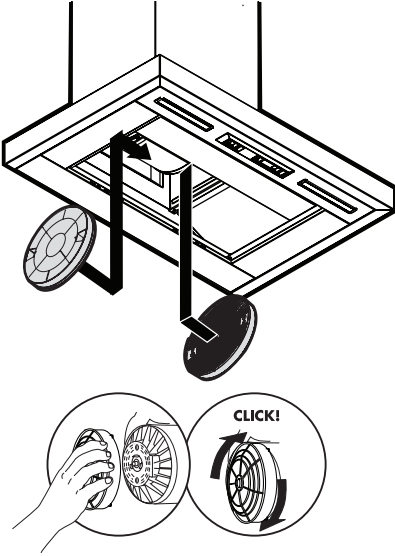
Entretien du filtre à graisses :

1. Débranchez la hotte de l'alimentation secteur.
2. Retirez les filtres à graisses : tirez sur la poignée de décrochage à ressort, puis sortez les filtres en les tirant vers le bas.
3. Une fois le filtre à graisse nettoyé, réinstallez-le en procédant dans l'ordre inverse et en veillant à ce que toute la surface d'aspiration soit recouverte.



Filtre à charbon:

Le filtre à charbon n'est pas lavable. Il peut durer 6 mois dans des conditions normales d'utilisation.

**Remplacement de l'ampoule**

La hotte est équipée d'un système d'éclairage reposant sur la technologie DEL.

Les voyants garantissent un éclairage optimal, une durée jusqu'à 10 fois supérieure à celle des ampoules traditionnelles et jusqu'à 90 % d'économies d'énergie.

Pour tout remplacement, contactez le centre d'entretien et de réparation agréé.

Ce qu'il convient de faire si...

Problème	Cause possible	Solution
L'appareil ne fonctionne pas.	Il ne reçoit aucune alimentation électrique.	Vérifiez la présence d'une alimentation secteur. Éteignez l'appareil puis remettez-le en marche pour vérifier si le problème a été éliminé.
	L'appareil n'est pas raccordé à l'alimentation électrique.	Vérifiez si l'appareil est raccordé à l'alimentation électrique. Éteignez l'appareil puis remettez-le en marche pour vérifier si le problème a été éliminé.
Le niveau d'aspiration de la hotte est insuffisant.	La vitesse d'aspiration est trop faible.	Vérifiez la vitesse d'aspiration sélectionnée et modifiez-la selon le besoin.
	Les filtres métalliques sont encrassés 4	Vérifiez si les filtres sont propres. S'ils ne le sont pas, lavez les filtres au lave-vaisselle.
	Les orifices de ventilation sont obstrués.	Vérifiez si les orifices de ventilation sont obstrués et dégagez-les selon le besoin.
L'éclairage ne fonctionne pas.	La lampe à LED est cassée 3	For replacement, contact the Authorized Service Centre.

Avant de contacter le centre d'entretien et de réparation agréé:

Remettez l'appareil en marche pour vérifier si le problème a disparu. Si le problème persiste, débranchez à nouveau l'appareil et recommencez l'opération une heure plus tard.

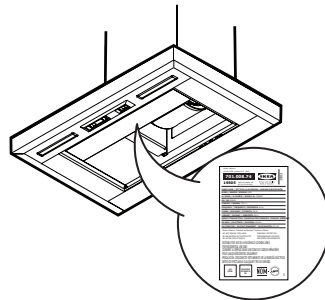
- le type de dysfonctionnement ;
- le modèle de l'appareil ;
- le type et le numéro de série de l'appareil (informations indiquées sur la plaque signalétique)

Si votre appareil ne fonctionne toujours pas correctement après la réalisation des vérifications ci-avant, prenez contact avec le centre d'entretien et de réparation agréé, expliquez clairement le problème et spécifiez :

Données techniques

Type de produit		Hotte murale	
Modèle		VINSTGIVANDE 504-660-01 & 104-621-42	
Dimensions	Largeur	in (mm)	36" (912 mm)
	Profondeur	in (mm)	19 ³ / ₄ " (500 mm)
	Hauteur min	in (mm)	4 ¹ / ₁₆ " (627 mm)
	Hauteur max	in (mm)	43 ⁶ / ₈ " (1112 mm)
Tension		V	120 V~
Fréquence		Hz	60 Hz
Puissance		W	280 W
Courant		A	2.3 A
Consommation d'énergie	En attente	Wh	0 Wh
	En opération	Wh	280 Wh
Info lampes	Type		LED
	Nombre et puissance	W	2 x 6.5 W
Hauteur d'installation minimale - cuisinière gaz		in (mm)	32" (813 mm)
Hauteur d'installation minimale - cuisinière électrique		in (mm)	24" (610 mm)
Poids du produit		Kg	17.2 kg

Les caractéristiques techniques sont indiquées sur la plaque signalétique apposée à l'intérieur de l'appareil.



Protection de l'environnement

Mise au rebut de l'emballage

L'emballage doit par conséquent être mis au rebut de façon responsable et en conformité avec les réglementations locales en vigueur en matière d'élimination des déchets.

Mise au rebut de l'appareil

- En procédant correctement à la mise au rebut de cet appareil, vous contribuerez à éviter des conséquences nuisibles pour l'environnement et la santé de l'homme.

Cet appareil ne doit pas être traité comme une ordure ménagère mais doit être remis à un centre de collecte spécialisé dans le recyclage des appareils électriques et électroniques.

Mise au rebut des appareils ménagers usagés

- Cet appareil est fabriqué à partir de matériaux recyclables ou réutilisables. Mettez-le au rebut en vous conformant aux prescriptions locales en matière d'élimination des déchets. Avant de mettre votre appareil au rebut, coupez le cordon d'alimentation.
- Pour toute information sur le traitement, la récupération et le recyclage des appareils électroménagers, contactez le service municipal compétent, le service de collecte des déchets ménagers ou le revendeur de l'appareil.

Astuces d'économies d'énergie

- Augmentez la vitesse uniquement en présence de grandes quantités de fumées et de vapeurs et réservez la ou les vitesses d'appoint aux cas extrêmes.
- Remplacez le ou les filtres à graisse si nécessaire pour maximiser la capture des graisses.
- Utilisez le diamètre maximum de canalisation indiqué dans ce manuel pour optimiser l'efficacité et minimiser le bruit.

GARANTIE LIMITÉE IKEA

Quelle est la durée de validité de la garantie IKEA?

Cette garantie est valable 5 (cinq) ans à compter de la date d'achat de votre appareil chez IKEA, à moins que l'appareil s'appelle LAGAN ou TILLREDA, auquel cas une garantie de 2 (deux) ans s'applique. La preuve d'achat originale est requise. Les réparations, effectuées sous garantie ne prolongent pas la période de garantie de l'appareil.

Qui exécutera le service?

Le "Fournisseur de Services" IKEA fournira le service par l'intermédiaire de ses propres services ou du réseau de partenaires de service autorisés.

Que couvre la garantie?

La garantie couvre les défauts de l'appareil, dus à des vices de matière ou de fabrication, à partir de la date d'achat chez IKEA. Cette garantie ne s'applique que dans le cas d'un usage domestique. Les exceptions sont spécifiées à la rubrique "Qu'est-ce qui n'est pas couvert par cette garantie ?" Pendant la période de garantie, les coûts engagés pour remédier au problème, par exemple les réparations, les pièces, la main-d'oeuvre et les déplacements sont pris en charge à condition que l'appareil soit accessible à des fins de réparation sans dépenses particulières. Dans ces conditions, les réglementations locales sont applicables. Les pièces remplacées deviendront propriété d'IKEA.

Que fera IKEA pour régler le problème?

Le réparateur désigné par IKEA examinera le produit et décidera, à sa seule discrétion, s'il est couvert par cette garantie.

Si le réparateur estime que le produit est couvert, celui-ci, ou un partenaire autorisé, soit réparera le produit défectueux, soit le remplacera par un produit identique ou comparable, à sa seule discrétion.

Qu'est-ce qui n'est pas couvert par cette garantie?

- L'usure normale.
- Les dommages occasionnés sciemment ou par négligence, les dommages résultant du non respect des instructions d'utilisation, d'une installation inadéquate ou d'une alimentation électrique inadéquate, les dommages causés par des réactions chimiques ou électrochimiques, la rouille, la corrosion ou un dégât des eaux, y compris, notamment, les dommages causés par un excès de calcaire dans l'eau, les dommages causés par des conditions environnementales anormales.
- Les consommables, y compris les ampoules et les piles.
- Les éléments non fonctionnels et décoratifs qui n'affectent pas l'usage normal de l'appareil, y compris les griffes et les éventuelles différences de couleur.
- Les dommages accidentels causés par des corps étrangers ou des substances, et le nettoyage et le débouchage des filtres, les systèmes de vidange ou les compartiments à savon.

- Les dommages occasionnés aux éléments suivants: vitrocéramique, accessoires, paniers à vaisselle et à couverts, tuyaux d'alimentation et de vidange, joints, ampoules et diffuseurs, écrans, boutons, revêtements et parties de revêtements, sauf s'il est prouvé que ces dommages sont dus à des vices de fabrication.
- Les cas où aucun défaut n'est constaté par le technicien.
- Les réparations qui ne sont pas effectuées par nos réparateurs désignés et/ou un partenaire contractuel autorisé ou lorsque des pièces qui ne sont pas d'origine ont été utilisées.
- Les réparations consécutives à une installation inadéquate ou pas conforme aux spécifications.
- L'utilisation de l'appareil dans un environnement non domestique, (p.ex. professionnel).
- Les dommages occasionnés par ou durant le transport. Si un client transporte personnellement le produit jusqu'à son domicile ou une autre adresse, IKEA décline toute responsabilité en cas de dommages pendant le transport. Si IKEA livre le produit à l'adresse de livraison indiquée par le client, tout éventuel dommage se produisant en cours de livraison sera couvert par IKEA.
- Les frais liés à l'installation initiale de l'appareil IKEA.
- Si un prestataire de service IKEA ou un partenaire contractuel autorisé répare ou remplace l'appareil conformément à la présente garantie, le prestataire de services ou le partenaire agréé autorisé réinstallera l'appareil réparé ou installera l'appareil de remplacement, le cas échéant.

Loi nationale applicable

La garantie IKEA vous donne des droits légaux spécifiques, et vous pouvez également avoir d'autres droits qui varient d'un État à l'autre ou d'une juridiction à l'autre. Cependant, ces conditions ne limitent en aucun cas les droits des consommateurs décrits dans la législation locale.

Zone de validité

Pour les appareils achetés aux États-Unis au Canada et transférés dans l'un des pays mentionnés, les interventions seront effectuées dans le cadre des conditions de garantie normales dans le nouveau pays. L'obligation de réparation dans le cadre de la garantie n'est effective que si l'appareil est conforme et installé conformément aux :

- spécifications techniques du pays dans lequel la demande d'intervention sous garantie est introduite ;
- instructions de montage et aux informations relatives aux co-signes de sécurité figurant dans le manuel d'utilisation.

Centre d'entretien et de réparation agréé exclusif pour appareils IKEA

N'hésitez pas à contacter un centre d'entretien et de réparation agréé IKEA pour :

- Faire une demande d'intervention sous garantie.
- Demander des précisions au sujet de l'installation des appareils IKEA dans les meubles de cuisine IKEA.
- Demander des précisions au sujet des fonctions des appareils IKEA.

Afin de vous garantir la meilleure assistance possible, nous vous prions de lire attentivement les instructions d'assemblage et le mode d'emploi avant de nous contacter.

Comment nous joindre en cas de besoin



Numéro de téléphone:
(833) 337 - 4006

Horaires:
Lundi - Vendredi
8:30am - 8:00 pm EST

i Afin de mieux vous servir, nous vous conseillons d'utiliser les numéros de téléphone spécifiques repris dans le mode d'emploi. Sur base des numéros repris dans le livret, mentionnez toujours les références de l'appareil pour lequel vous demandez assistance. Ayez toujours à disposition le numéro d'article IKEA (il s'agit d'un numéro composé de 8 chiffres) que vous trouverez sur la plaque signalétique de votre appareil.

i **CONSERVEZ VOTRE PREUVE D'ACHAT!**
La preuve de votre achat est nécessaire pour l'application de la garantie.
Le nom et le numéro d'article (code à 8 chiffres) IKEA de chaque appareil acheté figurent également sur la preuve d'achat.

Besoin d'une assistance supplémentaire?

Pour toute autre question en dehors du service après-vente de vos appareils, contactez le call center de votre magasin IKEA. Nous vous recommandons de lire attentivement toute la documentation fournie avec l'appareil avant de nous contacter.


Índice


Información sobre seguridad	29	Qué hacer si ...	37
Uso	33	Datos técnicos	38
Descripción del aparato	33	Aspectos medioambientales	39
Panel de mandos	34	Garantía Limitada IKEA	40
Limpieza y mantenimiento	35		


Información sobre seguridad

Antes de utilizar el aparato por primera vez

Su seguridad y la de terceros son muy importantes. Retire las protecciones de cartón, la película protectora y las etiquetas adhesivas de los accesorios. Compruebe si se ha dañado el aparato durante el transporte. Para evitar daños, no coloque objetos pesados sobre la campana. No exponga el aparato a los elementos atmosféricos. Este manual y el propio aparato contienen advertencias de seguridad, que se deben leer y seguir en todo momento.

 Este símbolo de atención, relacionado con la seguridad, alerta a los usuarios sobre peligros potenciales para sí mismos y para los demás. Todas las advertencias de seguridad van precedidas del símbolo de alerta y el texto siguiente:


 **PELIGRO:** indica una situación peligrosa que, si no se evita, provocará daños graves.

 **ADVERTENCIA:** Indica una situación peligrosa que, en caso de no evitarse, podría provocar lesiones graves.

Todos los mensajes de advertencia proporcionan detalles específicos sobre peligros potenciales y avisos que indican cómo reducir el riesgo de lesiones, daños y descargas eléctricas resultantes de un uso inadecuado del aparato. Respete estrictamente las siguientes instrucciones.

INSTRUCCIONES IMPORTANTES DE SEGURIDAD

LEA Y GUARDE ESTAS INSTRUCCIONES

 **ADVERTENCIA:** PARA REDUCIR EL RIESGO DE INCENDIOS, CHOQUE ELÉCTRICO O LESIONES PERSONAS, OBSERVE LO SIGUIENTE:

- Use esta unidad sólo de la manera para la que fue diseñada por el fabricante. Si tiene preguntas, póngase en contacto con el fabricante.
- Antes de dar servicio o limpiar esta unidad, apague el suministro de energía en el panel de servicio, y bloquee los medios de desconexión del servicio para evitar que se encienda accidentalmente el suministro de energía. Cuando el medio de desconexión del servicio no se pueda bloquear, sujete de manera segura un dispositivo de advertencia prominente, como podría ser una etiqueta, al panel de servicio.

- El trabajo de instalación y cableado se debe llevar a cabo por una persona(s) calificada(s), en conformidad con todos los códigos y estándares aplicables, incluyendo construcciones clasificadas como resistentes al fuego.
- Es necesario que haya suficiente aire para la adecuada combustión y ventilación de gases a través del conducto (la chimenea) del equipo que consume combustible, para evitar que ocurra contratiempo. Siga la guía y los estándares de seguridad del fabricante del equipo de calefacción, como serían aquéllos publicados por National Fire Protection Association (NFPA) (Asociación nacional de protección contra incendios), American Society for Heating, Refrigeration and Air Conditioning Engineers (ASHRAE) (Sociedad estadounidense para ingenieros de calefacción, refrigeración y acondicionamiento de aire) y las autoridades de códigos locales.
- Cuando corte o taladre en una pared o techo, no dañe el cableado eléctrico ni otros servicios públicos ocultos.
- Los ventiladores con conductos siempre deben dar salida al aire hacia el exterior.

CUIDADO: Para usarse solamente en ventilación común. No lo utilice para ventilar materiales y vapores peligrosos o explosivos.

Conveniente para su uso en un área de cocina doméstica.

CUIDADO: Para reducir el riesgo de incendio y para ventilar el aire adecuadamente, asegúrese de dirigir el conducto de ventilación hacia el exterior - no ventile el aire de salida a espacios dentro de paredes o techos, áticos, espacios angostos o garajes.

⚠ ADVERTENCIA: PARA REDUCIR EL RIESGO DE INCENDIO, SOLO USE CONDUCTOS METÁLICOS.

⚠ ADVERTENCIA: PARA REDUCIR EL RIESGO DE INCENDIO PROVOCADO POR GRASA EN LA SUPERFICIE DE LA ESTUFA:

- Nunca deje las unidades de superficie sin vigilancia cuando estén en ajustes altos. Los derrames por hervor causan salpicaduras grasosas y humeantes, las cuales pueden encenderse. Caliente los aceites lentamente y con ajustes bajos o medios.
- Siempre ENCIENDA la campana cuando cocine con calor alto o cuando flamee alimentos (por ejemplo, crepes Suzette, cerezas Jubileo y flameado de carne de res con pimienta).
- Limpie los ventiladores con frecuencia. No permita que se acumule la grasa en el ventilador o en el filtro.
- Use cacerolas del tamaño adecuado. Siempre use utensilios de cocción que sean los adecuados para el tamaño del elemento de la superficie.

⚠ ADVERTENCIA: PARA REDUCIR EL RIESGO DE LESIONES A PERSONAS SI SE PRENDE FUEGO EN LA SUPERFICIE DE LA ESTUFA OCASIONADO POR GRASA, OBSERVE LO SIGUIENTE:®

- **EXTINGA LAS LLAMAS** con una tapa que encaje muy bien, una bandeja para galletas o una bandeja metálica, y luego apague el quemador. **TENGA CUIDADO PARA EVITAR QUEM DURAS.**
Si las llamas no se extinguen de inmediato, **EVACUE Y LLAME AL DEPARTAMENTO DE BOMBEROS.**

- NUNCA AGARRE UNA CACEROLA QUE ESTÉ ARDIENDO - podría quemarse.
- NO UTILICE AGUA ni artículos de limpieza con agua, incluyendo paños para vajilla o toallas mojadas - podría ocurrir una explosión de vapor violenta.
- SÓLO use un extinguidor si:
 - Sabe a ciencia cierta que tiene un extinguidor de clase ABC y ya sabe cómo utilizarlo.
 - El incendio es pequeño y se encuentra contenido en el lugar en donde se inició.
 - Ha llamado al departamento de bomberos.
 - Puede apagar el fuego con su espalda mirando hacia una salida.
- Se recomienda cambiar los filtros de carbón cada 6 meses.
- No flamear alimentos bajo la campana de cocina.
- Use cacerolas del tamaño adecuado. Siempre use utensilios de cocción que sean los adecuados para el tamaño del elemento de la superficie.
- Este aparato no se destina para utilizarse por personas (incluyendo niños) cuyas capacidades físicas, sensoriales o mentales sean diferentes o estén reducidas o carezcan de experiencia o conocimiento a menos que dichas personas reciban supervisión o capacitación del funcionamiento del aparato por una persona responsable de su seguridad.
- Los niños deben supervisarse para asegurar que ellos no empleen los aparatos como juguete.
- Conserve este instructivo para futuras referencias.

ªBasado en "Consejos de seguridad para fuegos de cocina", publicado por la NFPA (Asociación nacional de protección contra incendios).

⚠ ADVERTENCIA: A fin de reducir el riesgo de incendio o de choque eléctrico, no use este ventilador con ningún dispositivo semiconductor para el control de la velocidad.

- Nunca deje las unidades de superficie sin vigilancia cuando estén en ajustes altos. Los derrames por hervor causan salpicaduras grasosas y humeantes, las cuales pueden encenderse. Caliente los aceites lentamente y con ajustes bajos o medios.
- Siempre ENCIENDA LA CAMPANA cuando cocine.
- Limpie los filtros anti-grasa con frecuencia (al menos cada 2 meses). No permita que se acumule la grasa en el filtro. Aplica para filtros de aluminio.

Instalación y conexión

Si tiene algún problema, contacte con el centro autorizado de servicio. Para evitar daños, desembale el aparato únicamente en el momento de la instalación.

Preparación para la instalación

⚠ ADVERTENCIA: Este es un producto pesado; la campana sólo debería ser levantada e instalada por dos o más personas.

Requisitos Eléctricos

Observe todos los códigos y reglamentos aplicables.

Asegúrese de que la instalación eléctrica sea adecuada y en conformidad con el National Electrical Code (Código Nacional Eléctrico), ANSI/NFPA 70 (última edición) o las normas de CSA C22.1-94, Canadian Electrical Code (Código Canadiense de Electricidad), Parte 1 y C22.2 N° 0-M91 (última edición), y todos los códigos y ordenanzas locales.

Si los códigos lo permiten y se emplea un alambre de conexión a tierra separado, es recomendable que un electricista calificado determine si la trayectoria de conexión a tierra es adecuada.

Usted puede obtener una copia de las normas de los códigos arriba indicadas en:

National Fire Protection Association
1 Batterymarch Park
Quincy, MA 02169-7471
CSA International
8501 East Pleasant Valley Road
Cleveland, OH 44131-5575

- Se necesita un circuito eléctrico de 120 voltios, 60 hertzios, CA solamente, de 15 amperios y protegido con fusibles.
- Si la casa tiene cableado de aluminio, siga el procedimiento a continuación:
 1. Conecte una sección de alambre de cobre sólido a los conductores flexibles.
 2. Conecte el cableado de aluminio a la sección añadida de alambre de cobre usando conectores especiales y/o herramientas diseñadas y de la lista de UL para unir el cobre al aluminio.

Siga el procedimiento recomendado por el fabricante del conector eléctrico.

La conexión de cobre/aluminio deberá hacerse en conformidad con los códigos locales y las prácticas de cableado aceptadas por la industria.

- Los tamaños de los cables y las conexiones deben hacerse de acuerdo con la clasificación del electrodoméstico, como se especifica en la placa de clasificación del modelo/de la serie. La placa del modelo/de la serie está ubicada detrás del filtro, en la pared posterior de la campana para cocina.
- El calibre de los cables debe hacerse de acuerdo a los requisitos del National Electrical Code (Código Nacional Eléctrico), ANSI/NFPA 70 (última edición) o las normas de CSA C22.1-94 Canadian Electrical Code (Código Canadiense de Electricidad), Parte 1 y C22.2 N° 0-M91 (última edición), y todos los códigos y ordenanzas locales.

Uso

La campana está diseñada para ser instalada y utilizada en su modalidad de "Extracción".

Modelo de salida del aire (véase

el símbolo  en el manual de instalación)

El humo de la cocción es succionado y conducido fuera de la casa mediante una tubería de salida (no suministrada), unida a la salida de humos de la campana. Asegúrese de que el tubo de evacuación está acoplado correctamente a la salida de aire mediante un sistema de conexión adecuado.

Instalación re-circulante (Vea

el símbolo  en el manual de instalación)

El aire es filtrado a través de uno o más filtros de carbón, y luego enviado de vuelta al cuarto.

Importante: Asegúrese de tener la circulación de aire apropiada cerca de la campana.

Los filtros de carbón están disponibles en las tiendas IKEA.

La campana debe ser instalada lejos de áreas sucias, ventanas, puertas y fuentes de calor.

Conserve este manual para futura referencia.

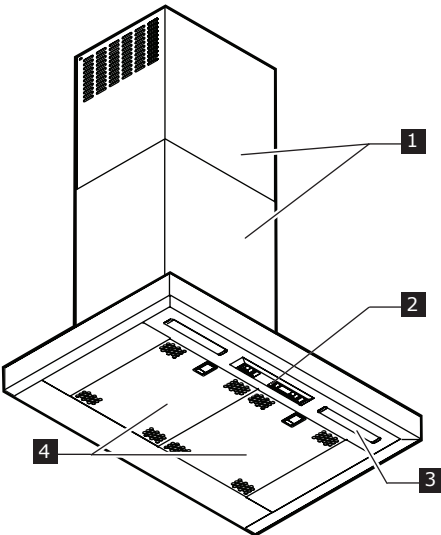
⚠ ADVERTENCIA!

Para reducir el riesgo de incendio o descarga eléctrica cuando se utiliza la campana en modo de recirculación, use solo los modelos de kit de conversión que se enumeran a continuación:

Kit de recirculación: NYTTIG 10 204.711.60

Kit de reemplazo de filtro de carbón: NYTTIG FIL 01 404.770.43

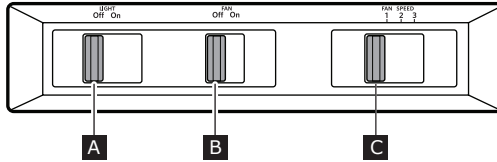
Descripción del aparato



- 1 Chimenea.
- 2 Panel de mandos.
- 3 Luz.
- 4 Filtro antigrasa.

Panel de mandos

- A** Botón deslizante de apagado e intensidad 1 de lámparas
- B** Botón deslizante de encendido y apagado de motor
- C** Botón deslizante de velocidades 1 -2 - 3 de motor



Limpeza y mantenimiento

⚠ ADVERTENCIA:

- No utilice nunca un equipo de limpieza con vapor.
- Desconecte la campana del suministro eléctrico.

IMPORTANTE: no utilice detergentes corrosivos o abrasivos. Si uno de esos productos entra accidentalmente en contacto con el aparato, límpielo de inmediato con un paño húmedo.

- Limpie las superficies con un paño húmedo. Si está muy sucio, utilice una solución de agua con unas gotas de lavavajillas. Termine la limpieza utilizando un paño seco.

IMPORTANTE: No utilice esponjas abrasivas ni estropajos metálicos o lijas. Con el tiempo podrían estropear la superficie.

Use detergentes específicamente diseñados para limpiar el aparato y siga las instrucciones del fabricante.

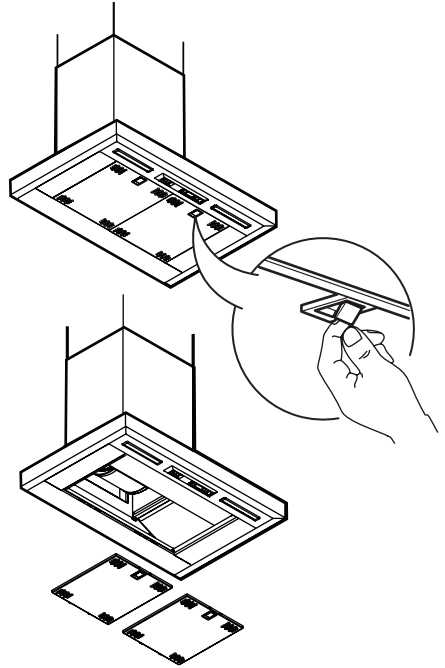
IMPORTANTE: limpie los filtros de grasa como mínimo una vez al mes para eliminar los restos de aceite o grasa.

Para lavar el filtro antigrasa

El filtro antigrasa metálico tiene una vida útil ilimitada y tiene que ser lavado una vez al mes a mano o en el lavavajillas a temperatura baja, y con un ciclo corto. Al lavarlo en un lavavajillas, el filtro antigrasa puede ponerse mate; esto no afecta a su funcionamiento.

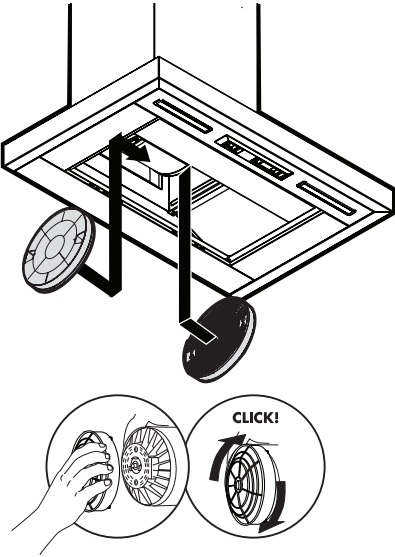
Mantenimiento del filtro anti-grasa:

1. Desconecte la campana de la red eléctrica.
2. Quite los filtros antigrasa: tire de la manilla de desenganche con resorte y, luego, quite el filtro hacia abajo.
3. Tras limpiar el filtro de grasa, vuelva a montarlo siguiendo el orden inverso, asegurándose de que se cubre toda la superficie de extracción.



Filtro de Carbón:

El filtro de carbón no es lavable. Puede durar 6 meses sometido al uso normal.

**Mantenimiento de la lámpara**

La campana está equipada con un sistema de luz basada en tecnología LED.

La tecnología LED garantiza una iluminación óptima, una duración 10 veces superior al de las bombillas tradicionales y permite ahorrar hasta un 90% en electricidad.

Para su sustitución, póngase en contacto con el Centro de servicio autorizado.

**Lámpara LED rectangular**

Potencia máxima	11W
Tensión asignada	15Vcc
Tipo de socket	Lámpara empotrable
Dimensiones	170 mm x 24 mm x 16 mm

Qué hacer si ...

Problema	Causa Posible	Solución
El aparato no funciona	No hay corriente eléctrica	Controle que haya corriente eléctrica en la red. Apague el aparato y vuelva a encenderlo para comprobar si se ha solucionado el problema.
	El aparato no está conectado al suministro eléctrico.	Compruebe si el aparato está conectado al suministro eléctrico. Apague el aparato y vuelva a encenderlo para comprobar si se ha solucionado el problema.
La potencia de aspiración de la campana no es suficiente.	La velocidad de aspiración es demasiado baja.	Compruebe la velocidad de aspiración y ajústela si es necesario.
	Los filtros de grasa están sucios 4	Compruebe que los filtros están limpios. Si no es así, limpie los filtros en el lavavajillas.
	Los conductos de ventilación están obstruidos.	Compruebe si los conductos de aspiración están obstruidos y elimine la obstrucción si fuera necesario.
La luz no se enciende	El LED está fundido 3	Para su sustitución, póngase en contacto con el Centro de servicio autorizado.

Antes de llamar al Centro de servicio autorizado:

Vuelva a poner en marcha el aparato para comprobar si se ha resuelto el problema.

Si no es así, apague el aparato y vuelva a encenderlo al cabo de una hora.

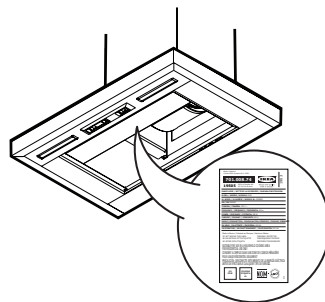
Si el aparato sigue sin funcionar correctamente después de efectuar las comprobaciones que se mencionan en la guía de solución de problemas y de volver a encenderlo, póngase en contacto con el Centro de servicio autorizado y explique el problema especificando los datos siguientes:

- El tipo de fallo;
- El modelo;
- El tipo y número de serie del aparato (indicado en la placa de características)

Datos técnicos

Tipo de producto		Campana de pared	
Modelo		VINSTGIVANDE 504-660-01 y 104-621-42	
Dimensiones	Ancho	in (mm)	36" (912 mm)
	Profundidad	in (mm)	19 ³ / ₄ " (500 mm)
	Altura min	in (mm)	4 ¹¹ / ₁₆ " (627 mm)
	Altura max	in (mm)	43 ⁶ / ₈ " (1112 mm)
Tensión		V	120 V~
Frecuencia		Hz	60 Hz
Potencia		W	280 W
Corriente		A	2.3 A
Consumo de Energía	En espera	Wh	0 Wh
	En operación	Wh	280 Wh
Información de las lámparas	Tipe		LED
	Número y potencia	W	2 x 6.5 W
Altura mínima de instalación - parrilla de gas		in (mm)	32" (813 mm)
Altura mínima de instalación - parrilla eléctrica		in (mm)	24" (610 mm)
Peso del producto		Kg	17.2 kg

La información técnica está situada en la placa de características, en la parte interna del aparato.



CAMPANA PURIFICADORA

Marca: IKEA

Modelo: 204-621-46

Contenido: 1 pza

Hecho en México

Distribuido por: IKEA Supply México, S.A. de C.V.

Dirección: Av. Paseo de las Palmas 275, Int. 403-404,

Lomas de Chapultepec V sección,

Miguel Hidalgo C.P.: 11000, Ciudad de México, México

RFC ITR1804174YA

Tel. 01 800-1-IKEA MX



Aspectos medioambientales

Eliminación del embalaje

No arroje el material de embalaje en el medio ambiente, elimínelo de acuerdo con la normativa local vigente.

Eliminación del producto

-- Al asegurarse de que se desecha correctamente, contribuirá a evitar las posibles consecuencias negativas para el medioambiente y la salud pública que podría conllevar una gestión inadecuada de los residuos. Este aparato no se puede tratar como desecho doméstico, sino que debe entregarse en un punto de recolección para el reciclaje de aparatos eléctricos y electrónicos.

Eliminación de electrodomésticos

- Este producto ha sido fabricado con material reciclable o reutilizable. Desguácelo de conformidad con las normas locales para la eliminación de residuos. Antes de desecharlo, corte el cable de alimentación.
- Para obtener información más detallada sobre el tratamiento, recuperación y reciclaje de aparatos eléctricos domésticos, póngase en contacto con las autoridades locales, con el servicio de recogida de residuos urbanos, o con la tienda en la que adquirió el aparato.

Consejos para ahorrar energía

- Aumente la velocidad en caso de que haya mucho humo o vapor y utilice la potencia máxima (turbo) solo en situaciones extremas.
- Sustituya el filtro antigrasa cuando sea necesario para mantener su eficiencia.
- Utilice el diámetro máximo del sistema de canalización indicado en este manual para optimizar la eficiencia y reducir al máximo el ruido.

GARANTÍA LIMITADA IKEA

¿Qué plazo de validez tiene la garantía de IKEA?

Esta garantía es válida por 5 (cinco) años a partir de la fecha original de compra del electrodoméstico en IKEA, a menos que el dispositivo se llame LAGAN o TILLREDA en cuyo caso aplican 2 (dos) años de garantía. Como justificante de la compra, necesitará la factura o recibo de compra original. Si se realizan reparaciones en el periodo de garantía, no se ampliará el periodo de garantía del electrodoméstico.

¿Quién llevará a cabo el servicio?

El "Proveedor de Servicios" autorizado de IKEA prestará el servicio a través de su propio servicio o una red de servicio autorizada.

¿Qué cubre esta garantía?

La garantía cubre defectos del electrodoméstico, que pueden haber sido causados por un defecto de fabricación o de materiales a partir de la fecha de la compra en IKEA. Esta garantía se aplica sólo al uso doméstico. Las excepciones se especifican en el título "¿Qué no cubre esta garantía?". Dentro del periodo de garantía, los costes para remediar el fallo, por ejemplo reparaciones, piezas, mano de obra y desplazamientos quedarán cubiertos, siempre que el electrodoméstico esté accesible para reparar sin gastos especiales. En estas condiciones las regulaciones locales son aplicables. Las piezas cambiadas pasarán a ser propiedad de IKEA.

¿Qué hará IKEA para solucionar el problema?

El proveedor de servicios designado de IKEA examinará el producto y decidirá, según su criterio, si está cubierto por la garantía.

En caso afirmativo, el proveedor de servicios de IKEA, o su servicio autorizado, por medio de sus propias operaciones de servicio, decidirán, según su criterio, si reparan el producto IKEA defectuoso o si lo cambian por uno igual o comparable.

¿Qué no cubre esta garantía?

- El deterioro o desgaste normal.
- Daños deliberados o causados por negligencia, daños causados por incumplimiento de las instrucciones de funcionamiento, instalación incorrecta, conexión a una tensión incorrecta, daños causados por reacciones químicas o electroquímicas, óxido, corrosión o daños causados por el agua incluyendo pero sin limitarse a los daños causados por un exceso de cal en el agua, y los daños provocados por condiciones medio ambientales anormales.
- Piezas consumibles, incluyendo las baterías y las bombillas.
- Piezas no funcionales y decorativas, que no afecten el uso normal del electrodoméstico, incluida cualquier posible raya y las diferencias de color.
- Daños accidentales provocados por objetos o sustancias extraños, por la limpieza o por el desbloqueo de los filtros, los sistemas de vaciado o los cajetines para el jabón.
- Daños provocados en las siguientes piezas: vidrio cerámico, accesorios, cestos para la vajilla y los cubiertos, tuberías de llenado o vaciado, juntas, bombillas o sus cubiertas, pantallas, mandos, revestimientos y partes de los revestimientos protectores.

Salvo que se demuestre que tales daños hayan sido provocados por fallos en la producción.

- Casos en los que no se detecte ningún fallo en el producto durante la visita de un técnico.
- Reparaciones no realizadas por nuestros proveedores de servicios y/o un servicio autorizado por IKEA, o cuando se utilicen piezas no originales.
- Reparaciones provocadas por una instalación defectuosa o que no cumpla las especificaciones de instalación.
- Uso del electrodoméstico en un entorno no-doméstico, es decir, uso profesional.
- Daños de transporte. Si un cliente transporta el producto a su casa o a otra dirección, IKEA no se responsabiliza de los daños que pueda sufrir en el trayecto. No obstante, si IKEA entrega el producto en la dirección indicada por el cliente, los daños del producto producidos con motivo del transporte serán cubiertos por IKEA.
- Coste de la instalación inicial del aparato IKEA. No obstante, si un proveedor de servicios de IKEA o su servicio autorizado repara o sustituye el aparato con arreglo a esta garantía, el proveedor de servicios o su servicio autorizado volverán a instalar el aparato arreglado o nuevo, si es necesario.

¿Cómo se aplica la ley nacional?

La garantía IKEA le otorga derechos legales específicos, y usted puede tener otros derechos que varíen de estado a estado o de jurisdicción a jurisdicción. No obstante, estas condiciones no limitan de ningún modo los derechos de los consumidores prescritos por la legislación local.

Área de validez

Para los electrodomésticos comprados en los Estados Unidos o Canadá, o que son llevados a uno de los países mencionados, se proporcionarán los servicios de acuerdo con las condiciones de la garantía normales en el nuevo país. Sólo existe la obligación de realizar servicios en el marco de la garantía si el electrodoméstico cumple y está instalado según:

- Las especificaciones técnicas del país en el que se realiza la reclamación.
- Las instrucciones de montaje y la información de seguridad del Manual del Usuario.

El Centro de servicio autorizado para aparatos IKEA

Por favor, no dude en contactar con el Centro de servicio autorizado designado por IKEA para:

- hacer una reclamación con arreglo a esta garantía;
- solicitar aclaraciones relacionadas con la instalación del aparato IKEA en los muebles de cocina IKEA;
- solicitar aclaraciones sobre las funciones de los aparatos IKEA.

Para asegurar de que le proporcionaremos la mejor asistencia, por favor, lea atentamente las Instrucciones de Montaje y/o el Manual de Instrucciones antes de contactar con nosotros.

¿Cómo contactar con nosotros si necesita nuestro servicio?



Número de teléfono:
(833) 337 - 4006
Horarios:
Lunes - Viernes
8:30am - 8:00 pm EST

i Para proporcionarle un servicio más rápido, le recomendamos que utilice los números de teléfono específicos que se incluyen en este manual. Indique siempre los números que aparecen en el manual correspondientes al aparato específico para que el necesita asistencia. Además, indique siempre el número de producto, (8 dígitos) que se encuentran en la placa de datos técnicos del aparato.

i ¡GUARDE LA FACTURA O RECIBO DE COMPRA!

Es la prueba de la compra y lo necesitará para hacer uso de la garantía. El recibo también incluye el nombre y el número del producto (8 dígitos) de IKEA, para cada uno de los electrodomésticos que compre.

¿Necesita ayuda adicional?

Para todas las cuestiones adicionales no relacionadas con el Centro de servicio autorizado sobre sus aparatos, por favor, diríjase al call center de la tienda IKEA. Le recomendamos que lea atentamente la documentación del aparato antes de contactar con nosotros.



USA - ÉTATS UNIS - ESTADOS UNIDOS

Phone number: (833) 337 - 4006

Rate: Local rate

Opening hours: Monday - 8:30am -
Friday 8:00 pm EST

CANADA - CANADA - CANADÁ

Phone number: (833) 337 - 4006

Rate: Local rate

Opening hours: Monday - 8:30am -
Friday 8:00 pm EST

