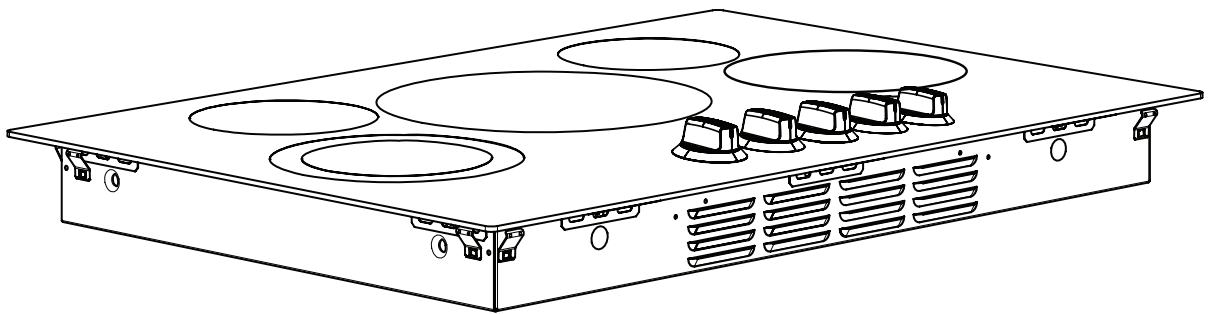
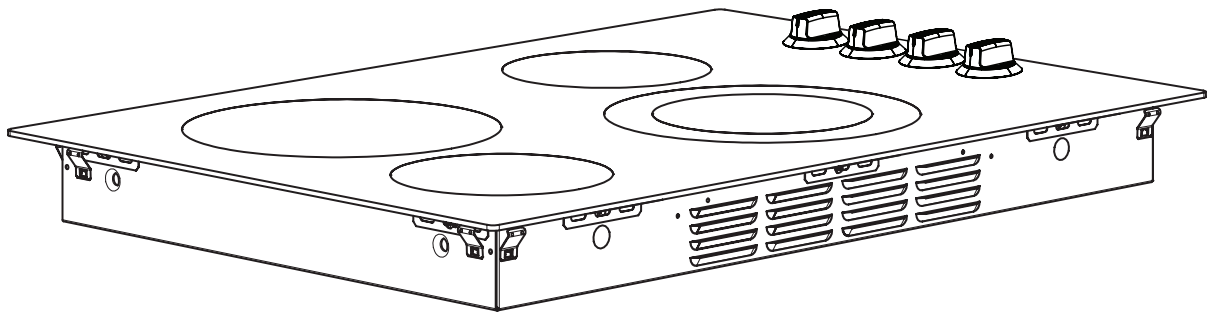


NEDDRAGEN FÖRVÄLLA



INSTALLATION AND SERVICE MUST BE PERFORMED BY A QUALIFIED INSTALLER.
 IMPORTANT: SAVE FOR LOCAL ELECTRICAL INSPECTOR'S USE.
 READ AND SAVE THESE INSTRUCTIONS FOR FUTURE REFERENCE.



⚠ WARNING!
 FOR YOUR SAFETY: Do not store or use gasoline or other flammable vapors and liquids in the vicinity of this or any other appliance.

Your safety and the safety of others are very important.

We have provided many important safety messages in this manual and on your appliance. Always read and obey all safety messages.



This is the safety alert symbol.
 This symbol alerts you to potential hazards that can kill or hurt you and others.
 All safety messages will follow the safety alert symbol and either the word "WARNING" or "CAUTION."



Indicates a potentially hazardous situation which, if not avoided, may result in death or serious injury.

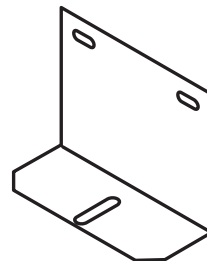


Indicates a potentially hazardous situation which, if not avoided, may result in minor or moderate injury.

All safety messages will tell you what the potential hazard is, tell you how to reduce the chance of injury, and tell you what can happen if the instructions are not followed.



Electric Shock Hazard
Disconnect power before servicing.
Use 12-gauge solid copper wire.
Electrically ground oven.
Failure to follow these instructions can result in death, fire, or electrical shock.

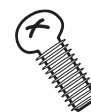


2x



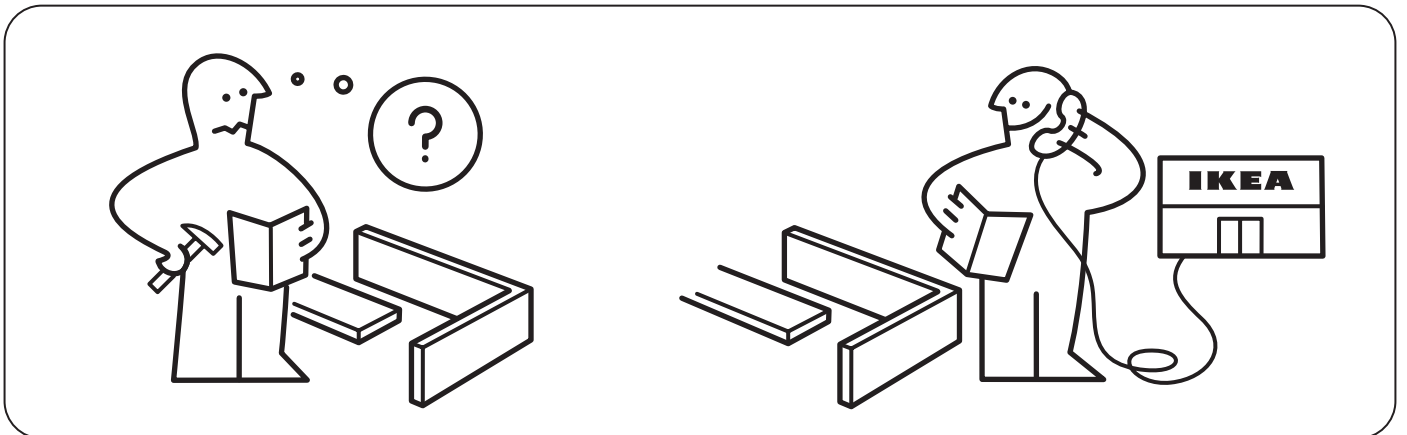
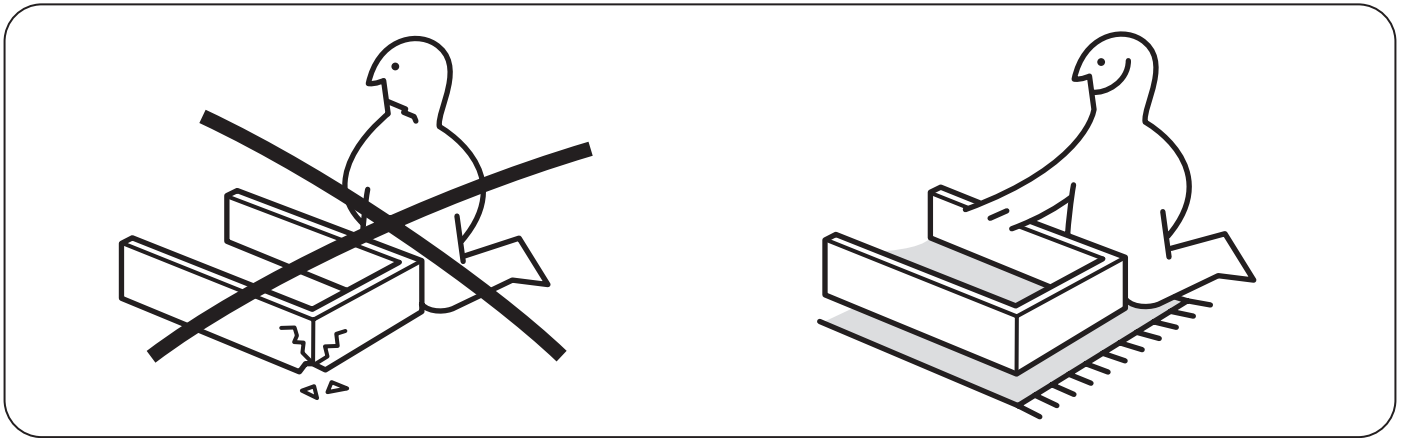
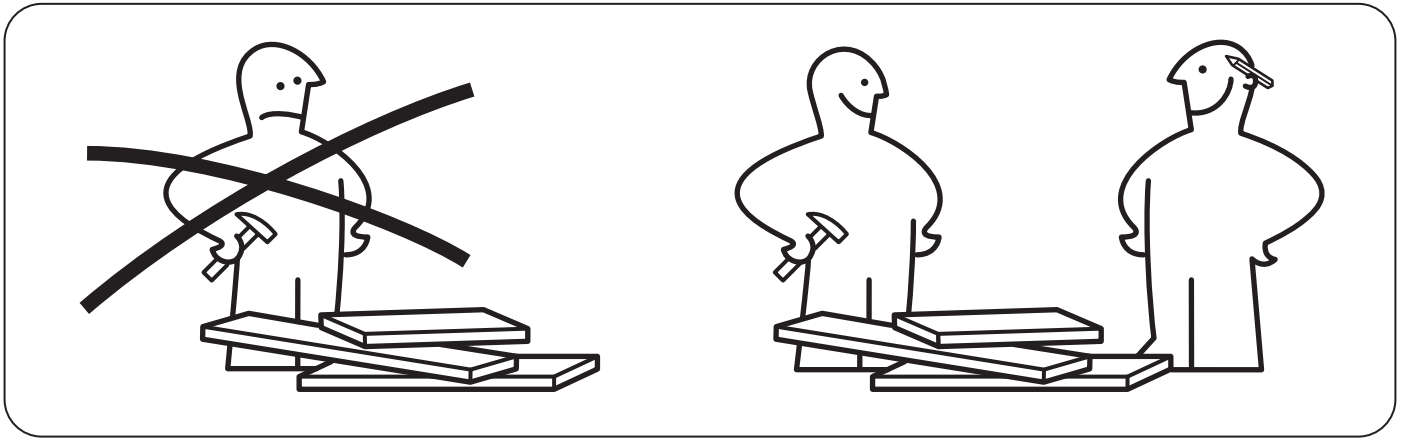
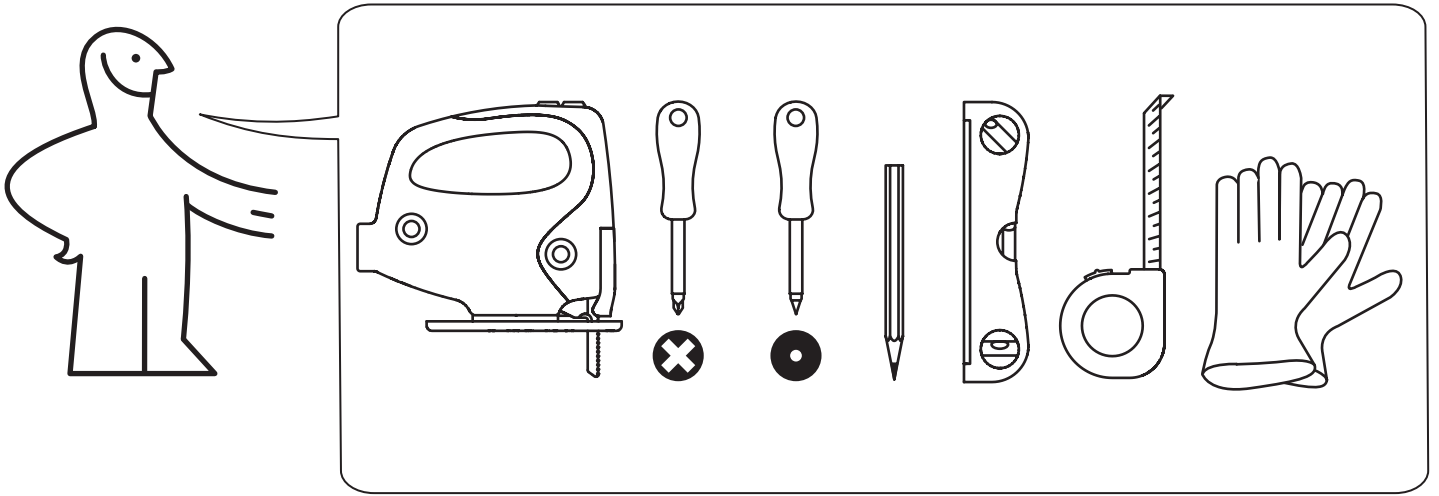
4x

Screw 1



2x

Screw 2



IMPORTANT INSTALLATION INFORMATION

- All electric cooktops run off a single phase, three-wire or four-wire cable, 240/208 volt, 60 hertz, AC only electrical supply with ground.
- Minimum distance between cooktop and overhead cabinetry is 30" (76.2 cm).

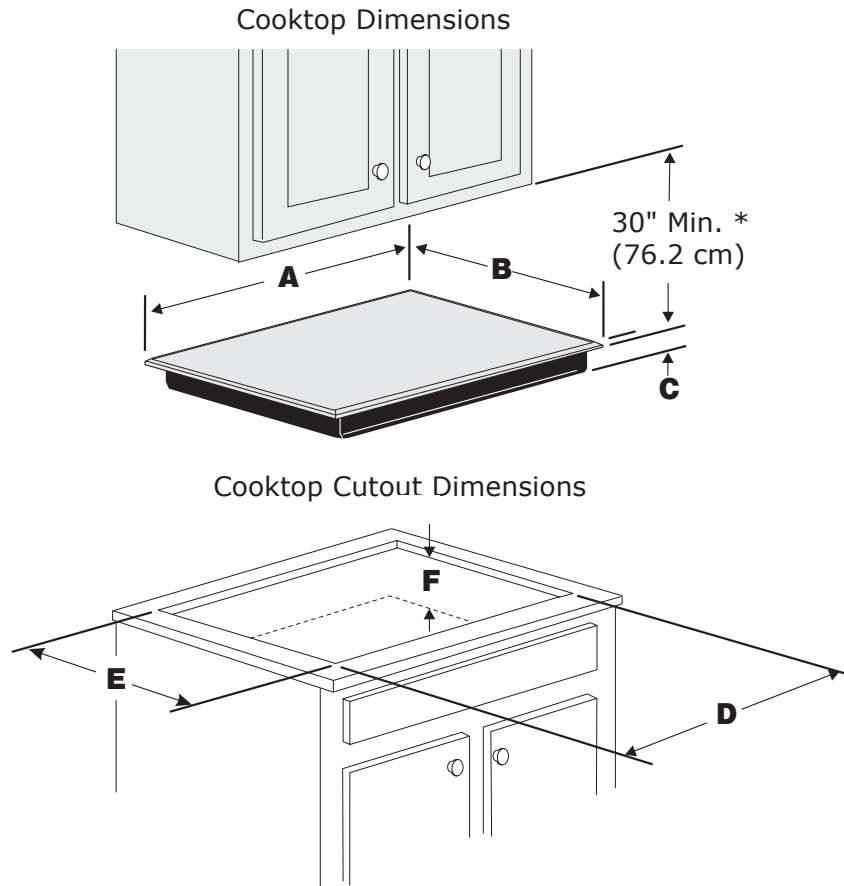


Figure 1

MODEL	A. LENGTH	B. WIDTH	C. DEPTH	CUTOUT DIMENSIONS				F. DEPTH BELOW COOKTOP*
				D. LENGTH		E. WIDTH		
				MIN.	MAX.	MIN.	MAX.	
30"	30" (76.2 cm)	21 ³ / ₈ " (54.4 cm)	2 ⁵ / ₈ " (6.7 cm)	28 ¹ / ₂ " (72.4 cm)	29 ⁷ / ₈ " (75.9 cm)	19 ⁵ / ₈ " (49.9 cm)	20 ¹ / ₂ " (52.1 cm)	5" (12.7 cm)

All dimensions are in inches (cm).

Only some models are available in Canada.

*Allow 2" (5 cm) space below cooktop to clear the electric cable and allow for installation of the junction box on the wall at the back of the cooktop.

⚠ CAUTION!

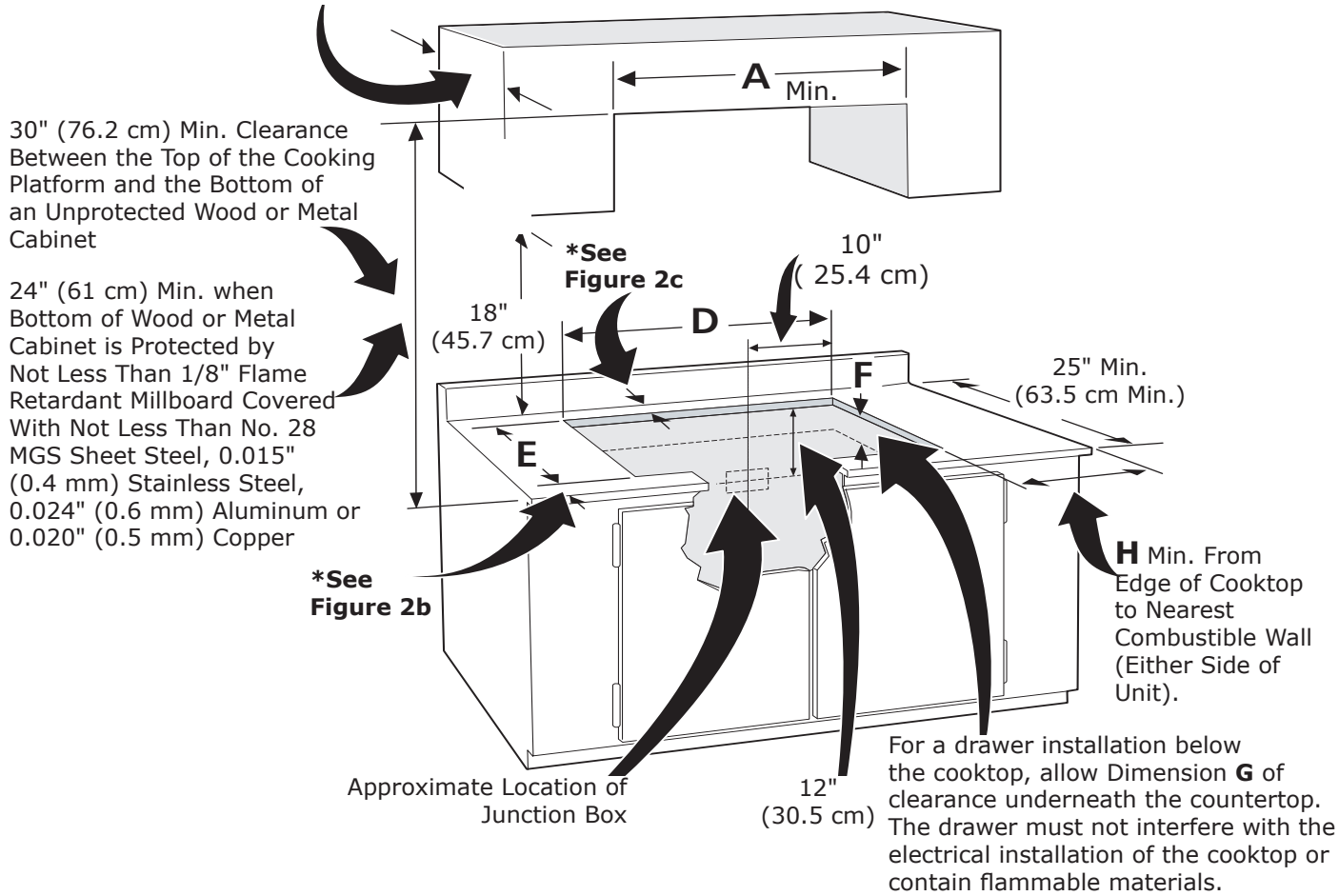
To eliminate the risk of burns or fire by reaching over heated surfaces, cabinet storage space located above the cooktop should be avoided. If cabinet storage is provided, risk can be reduced by installing a range hood that projects horizontally a minimum of 5" (12.7 cm) beyond the bottom of the cabinets.

Figure 2a – COUNTERTOP CUTOUT OPENING

MODEL	G	H
30"	4" (10.2 cm)	7½" (19.1 cm)

* Letters on this figure refer to chart on previous page except for **G** and **H**.

Overhead Cabinet Should Not Exceed a Maximum Depth of 15" (38.1 cm)



Island Installation

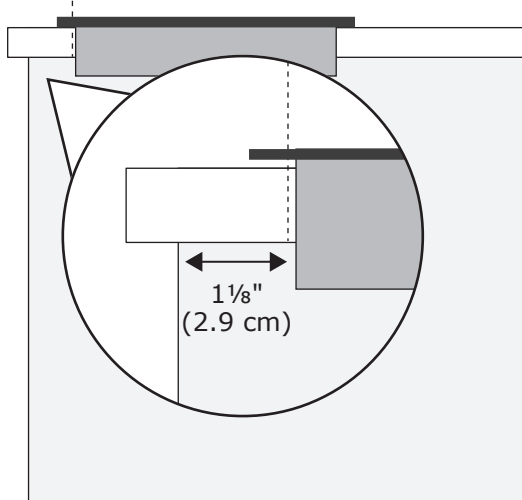


Figure 2b– Minimum Recommended Distance From Behind the Cabinet Front

Typical Installation

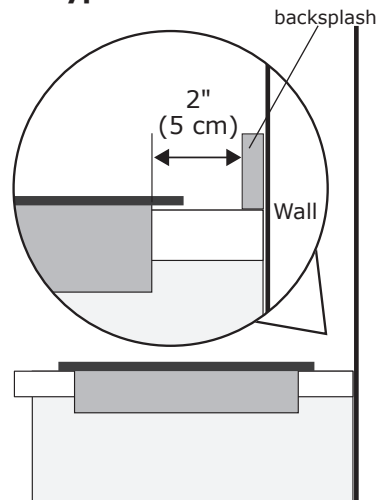


Figure 2c– Minimum Recommended Distance Between Rear Edge of Cutout and Nearest Combustible Surface Behind Countertop

Important Notes to the Installer

1. Read all instructions contained in these installation instructions before installing the cooktop.
2. Remove all packing material before connecting the electrical supply to the cooktop.
3. Observe all governing codes and ordinances.
4. Be sure to leave these instructions with the consumer.
5. All materials used in construction of cabinets, enclosures, and supports surrounding the product must have a temperature rating above 194°F (90°C).

Important Note to the Consumer

Keep these instructions with your User manual for future reference.

IMPORTANT SAFETY INSTRUCTIONS

- Be sure your cooktop is installed and grounded properly by a qualified installer or service technician.
- These cooktops must be electrically grounded in accordance with local codes or, in their absence, with the National Electrical Code ANSI/NFPA No. 70—latest edition in the United States, or with CSA Standard C22.1, Canadian Electrical Code, Part 1, in Canada.

WARNING!

The electrical power to the cooktop must be shut off while line connections are being made. Failure to do so could result in serious injury or death.

Provide Electrical Connection

Install the junction box under the cabinet and run 120/240 or 120/208 Volt, AC wire from the main circuit panel. DO NOT connect the wire to the circuit panel at this time.

Electrical Requirements

This appliance must be supplied with the proper voltage and frequency, and connected to an individual, properly grounded branch circuit, protected by a circuit breaker or fuse. A circuit breaker or fuse is required by your appliance.

The circuit breaker or fuse amperage recommended for your appliance is 40A or 50A.

Observe all governing codes and local ordinances

1. A 3-wire or 4-wire single phase 120/240 or 120/208 Volt, 60 Hz AC only electrical supply is required on a separate circuit fused on both sides of the line (red and black wires). A time-delay fuse or circuit breaker is recommended. DO NOT fuse neutral (white wire). Only certain cooktop models may be installed over certain built-in electric oven models. Approved cooktops and built-in ovens are listed by the MFG ID number (see the insert sheet included in the literature package).
2. The flexible armored cable extending from the appliance should be connected directly to the junction box. The junction box should be located as shown in Figure 1 or Figure 2 and with as much slack as possible remaining in the cable between the box and the appliance, so it can be moved if servicing is ever necessary.
3. A suitable strain relief must be provided to attach the flexible armored cable to the junction box.

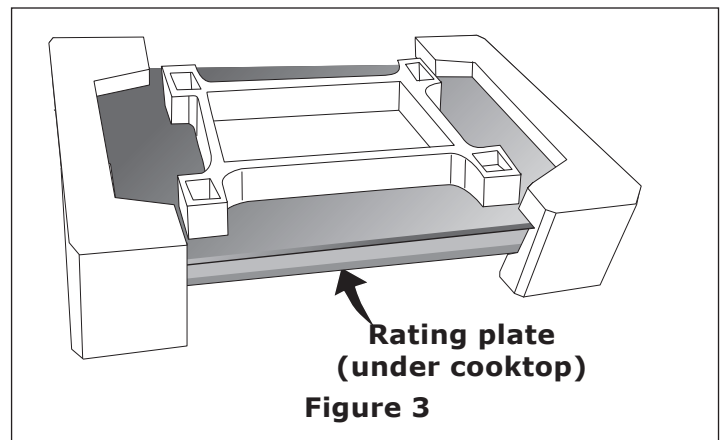
NOTE: Wire sizes and connections must conform with the fuse size and rating of the appliance in accordance with the American National Electrical Code ANSI/NFPA No. 70—latest edition, or with Canadian CSA Standard C22.1, Canadian Electrical Code, Part 1, and local codes and ordinances.

WARNING!

An extension cord must not be used with this appliance. Such use may result in a fire, electrical shock, or other personal injury.

Unpacking Instructions

1. Leave corner supports on cooktop until completion of Electrical Connection.
2. It is important that the ceramic-glass smoothtop be pretreated before use.



Electrical Connection

It is the responsibility and obligation of the consumer to contact a qualified installer to assure that the electrical installation is adequate and is in conformance with the National Electrical Code ANSI/NFPA No. 70-latest edition, or with CSA Standard C22.1, Canadian Electrical Code, Part 1, and local codes and ordinances.

WARNING!

Risk of electrical shock (Failure to heed this warning may result in electrocution or other serious injury.) This appliance is equipped with copper lead wire. If connection is made to aluminum house wiring, use only connectors that are approved for joining copper and aluminum wire in accordance with the National Electrical Code and local code and ordinances. When installing connectors having screws which bear directly on the steel and/or aluminum flexible conduit, do not tighten screws sufficiently to damage the flexible conduit. Do not over bend or excessively distort flexible conduit to avoid separation of convolutions en exposure of internal wires.

Electrical ground is required on this appliance.

This appliance is manufactured with a frame connected green (or bare copper) ground wire.

WARNING!

DO NOT ground to a gas supply pipe. DO NOT connect to electrical power supply until appliance is permanently grounded. Connect the ground wire before turning on the power.

If your appliance is not equipped with a white neutral conductor:

Connect only to a 3-wire, 120/240V power supply; the neutral conductor is not required for the operation of the appliance. The potential at the power supply electrical connections shall be 150V to ground or less.

NOTE TO ELECTRICIAN: The armored cable leads supplied with the appliance are UL-recognized for connection to larger gauge household wiring. The insulation of the leads is rated at temperatures much higher than temperature rating of household wiring. The current carrying capacity of the conductor is governed by the temperature rating of the insulation around the wire, rather than the wire gauge alone.

RISK OF ELECTRIC SHOCK: Grounding through the neutral conductor is prohibited for new branch-circuit installations (1996 NEC); mobile homes; recreational vehicles; or in Canada, or in an area where local codes prohibit grounding through the neutral connector.

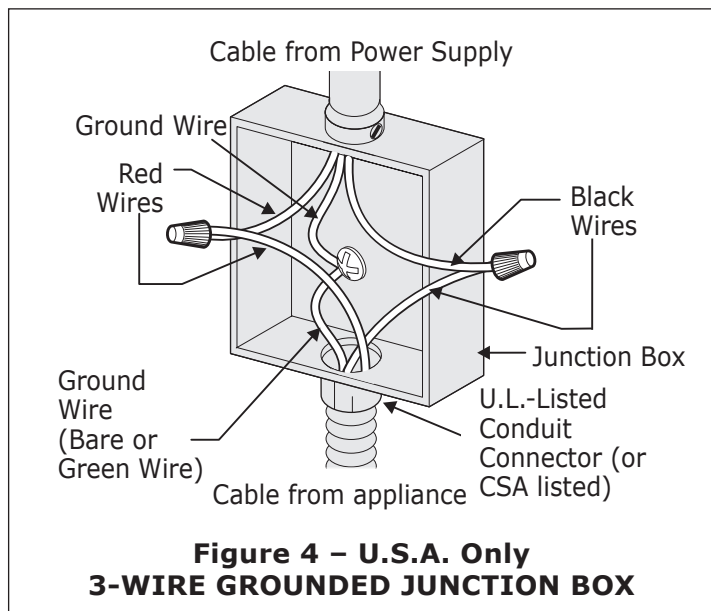
WARNING!

(If your appliance is equipped with a white neutral conductor.) This appliance is manufactured with a white neutral power supply and a frame connected copper wire. The frame is grounded by connection of grounding lead to neutral lead at the termination of the conduit, if used in USA, in a new branch circuit installation (1996 NEC), mobile home, recreational vehicles, where local code do not permit grounding through the neutral (white) wire or in Canada, disconnect the white and green lead from each other and use ground lead to ground unit in accordance with local codes, connect neutral lead to branch circuit-neutral conductor in usual manner see Figure 6 or 7. If your appliance is to be connected to a 3 wire grounded junction box (US only), where local code permit connecting the appliance-grounding conductor to the neutral (white) see Figure 4 or 5.

Where local codes permit connecting the appliance-grounding conductor to the neutral (white) wire (USA only):

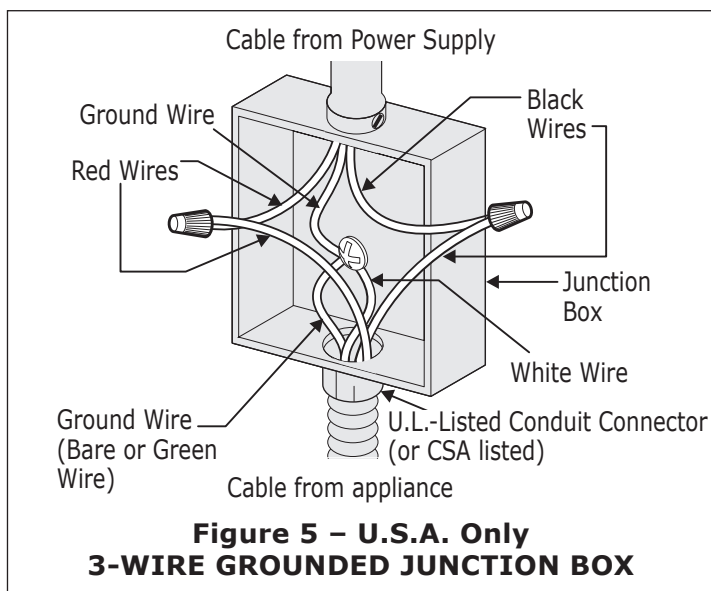
Your appliance has a 3-wire cable to be connected to a 3-wire grounded junction box (see figure 4):

1. Disconnect the power supply.
2. In the circuit breaker, fuse box or junction box: Connect appliance and power supply cable wires as shown in figure 4.



Your appliance has a 4-wire cable to be connected to a 3-wire grounded junction box (see figure 5):

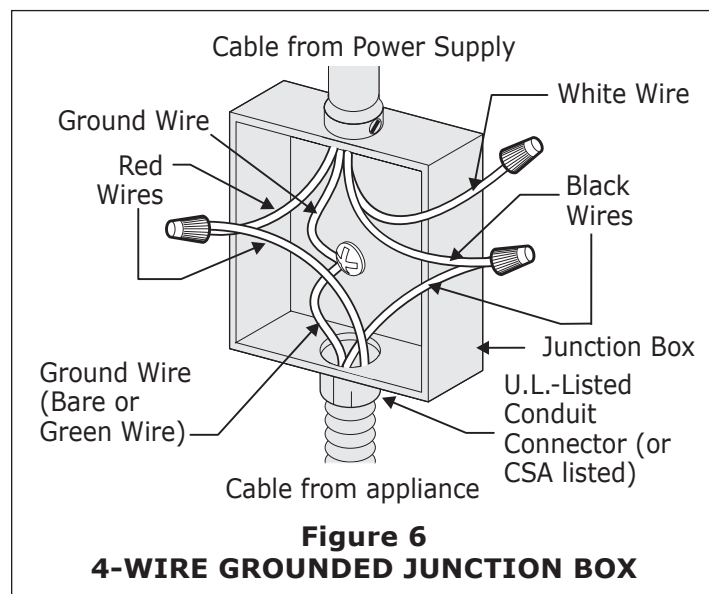
1. Disconnect the power supply.
2. In the junction box: Connect appliance and power supply cable wires as shown in Figure 5.



If the appliance is used in a new branch circuit installation (1996 NEC), mobile home, recreational vehicle, or where local codes DO NOT permit grounding through the neutral (white) wire, the appliance frame MUST NOT be connected to the neutral wire of the 4-wire electrical system.

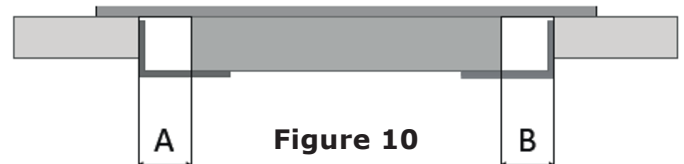
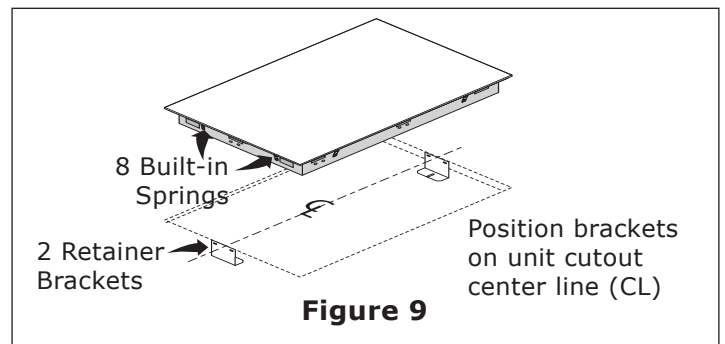
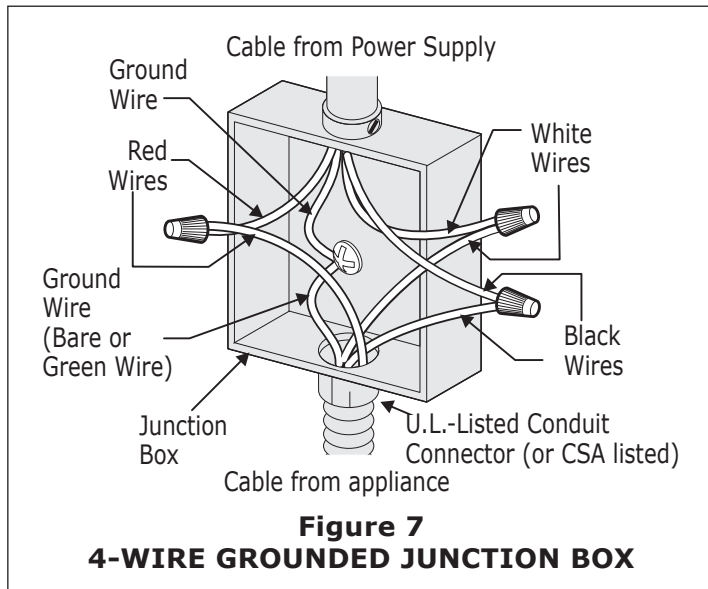
Your appliance has a 3-wire cable to be connected to a 4-wire grounded junction box (see figure 6):

1. Disconnect the power supply.
2. Separate the green (or bare copper) and white appliance cable wires.
3. Cap the white wire from the power supply cable if a 3-wire appliance cable is supplied.
4. In the circuit breaker, fuse box or junction box: Connect appliance and power supply cable wires as shown in figure 6.



Your appliance has a 4-wire cable to be connected to a 4-wire grounded junction box (see figure 7):

1. Disconnect the power supply.
2. In the junction box:
Connect appliance and power supply cable wires as shown in Figure 7.

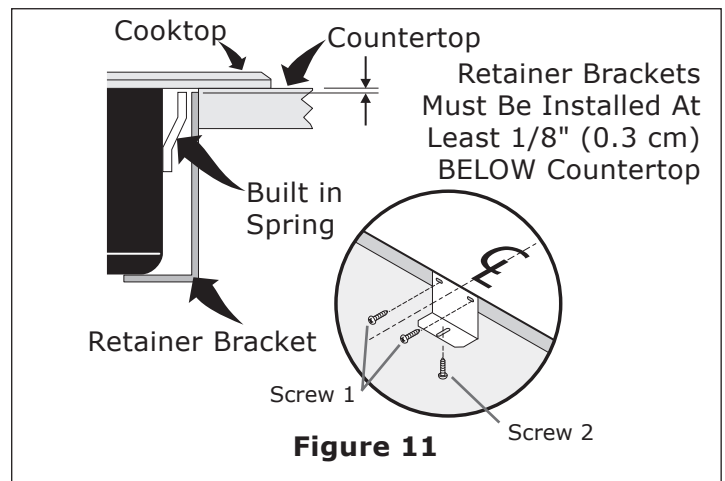
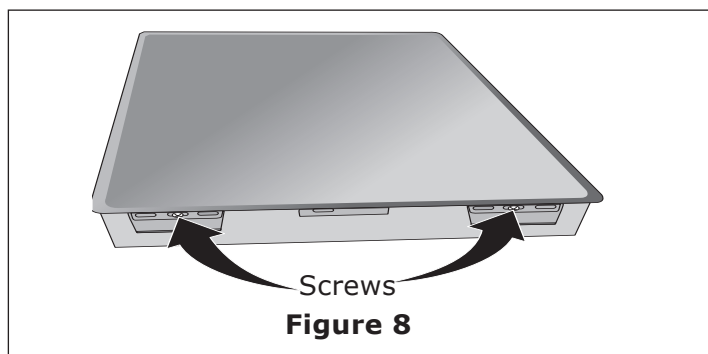


During the installation with wide cutout, make sure the cooktop is centered. A and B gap should have the same dimensions. The elongated holes on the bottoms of the installation brackets are made to fit every cutout.

The retainer brackets MUST be installed, to meet local codes or, in their absence, with the National Electrical Code ANSI/NFPA No. 70—latest edition, or with CSA Standard C22.1, Canadian Electrical Code, Part 1 (see Figure 11).

Cooktop Installation

1. Visually inspect the cooktop for damage. Also make sure all cooktop screws are tight (see Figure 8).
2. Set the cooktop into the countertop cutout.



⚠ WARNING!

Do not remove the built in springs on the edges of the cooktop. These springs center the cooktop in the space provided. The cooktop must be centered to prevent excess heat buildup that may result in heat damage or fire (see Figure 9).

Hard countertop installation

If installing this cooktop into a granite, marble, or other hard countertop, make sure to perform the following operations:

1. Use a heatproof adhesive specified for the material of your countertop.
2. Tape the brackets (by the top of the bracket) exactly where they are supposed to be according to the installation instructions (use duct tape, or similar adhesive tape).
3. Lift the brackets and apply a generous amount of adhesive on the lip portion of the countertop.
4. Apply enough adhesive for there to be excess adhesive that will flow/push through all of the holes in the brackets.
5. Apply the brackets to the adhesive on the countertop, as shown in the diagram.
6. Visually verify that the excess adhesive has pushed through all of the holes in the bracket.
7. Do not remove the excess adhesive that has flowed/pushed through the bracket holes. Once cured, this excess adhesive will provide additional support for the brackets.
8. Allow to the adhesive to cure for the minimum time prescribed by the adhesive manufacturer. You will find this information on the external surface of the adhesive container.
9. Remove all the duct tape from the installation.
10. Install the cooktop in place, as specified in the diagram, and secure with mounting screws.

Checking Operation

Refer to the [User manual](#) for operation.

Model and Serial Number Location

The rating plate is located under the cooktop or in the burner box and can be seen by lifting up the main top of unit.

CAUTION!

Do not touch cooktop glass or elements. They may be hot enough to burn you.

When ordering parts for or making inquiries about your cooktop, always be sure to include the model and serial numbers and a lot number or letter from the rating plate on your cooktop.

Before You Call for Service

Read the Avoid Service Checklist and operating instructions in your [User manual](#). It may save you time and expense. The list includes common occurrences that are not the result of defective workmanship or materials in this appliance.

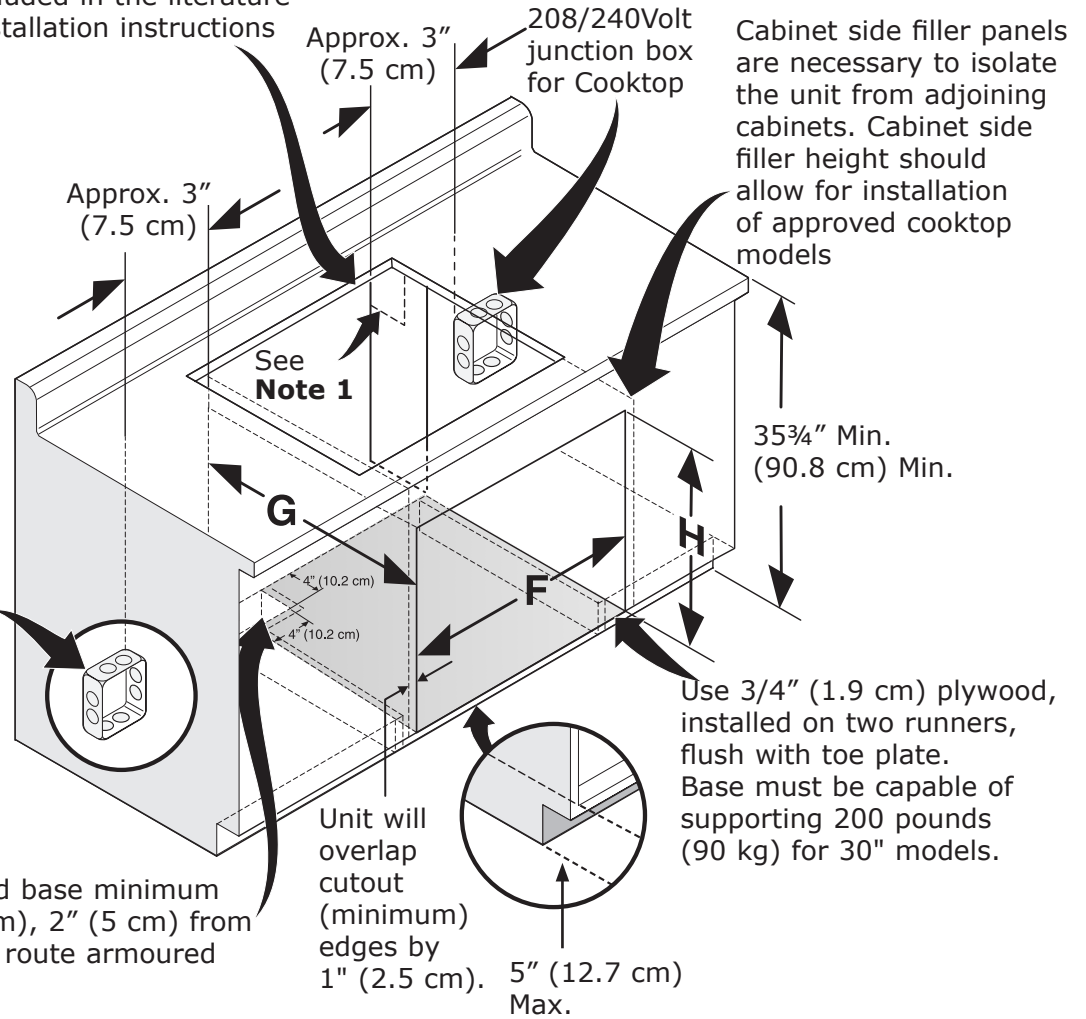
Refer to the warranty in your [User manual](#) for our service phone number and address. Please call or write if you have inquiries about your product and/or need to order parts.

For typical under counter installation of an electric built-in oven see Figure 12 below.

Only certain cooktop models may be installed over certain built-in electric oven models. Approved cooktops and built-in ovens are listed by the MFG ID number and product code (see the insert sheet included in the literature package and cooktop installation instructions for dimensions).

Note 1: 4" x 4" (10.2 X 10.2 cm) opening to route armoured cable from cooktop to junction box.

WARNING!
To reduce the risk of personal injury and tipping of the wall oven, the wall oven must be secured to the cabinet(s) by mounting screws.



208/240 Volt junction box for built-in oven.

Cut an opening in wood base minimum 4" x 4" (10.2 X 10.2 cm), 2" (5 cm) from left side filler panel, to route armoured cable to junction box.

Unit will overlap cutout (minimum) edges by 1" (2.5 cm). 5" (12.7 cm) Max.

Use 3/4" (1.9 cm) plywood, installed on two runners, flush with toe plate. Base must be capable of supporting 200 pounds (90 kg) for 30" models.

CUTOUT DIMENSIONS			
	F. WIDTH	G. DEPTH	H. HEIGHT
30" (76.2 cm) Wall Oven	28½" (72.4 cm) Min. 29" (73.7 cm) Max.	23½" (59.7 cm) Min.	27¼" (69.2 cm) Min. 28¼" (71.8 cm) Max.

Figure 12- TYPICAL UNDER COUNTER INSTALLATION OF A SINGLE ELECTRIC BUILT-IN OVEN WITH AN ELECTRIC COOKTOP MOUNTED ABOVE

LA INSTALACIÓN Y EL SERVICIO DEBEN SER EFECTUADOS POR UN INSTALADOR CALIFICADO. IMPORTANTE: GUARDE ESTAS INSTRUCCIONES PARA USO DEL INSPECTOR LOCAL DE ELECTRICIDAD. LEA Y GUARDE ESTAS INSTRUCCIONES PARA REFERENCIA FUTURA.

Estados Unidos y
Canada



Canada



ADVERTENCIA!

PARA SU SEGURIDAD: No almanece ni utilice gasolina u otros vapores y líquidos inflamables en la proximidad de este o de cualquier otro artefacto.

Su seguridad y la seguridad de los demás son muy importantes.

Hemos proporcionado muchos mensajes de seguridad importantes en este manual y en su electrodoméstico. Siempre lea y obedezca todos los mensajes de seguridad.



Éste es el símbolo de alerta de seguridad.

Éste es el símbolo de alerta de seguridad.

Este símbolo lo alerta sobre posibles peligros que pueden matarlo o lastimarlo a usted y a otros. Todos los mensajes de seguridad seguirán el símbolo de alerta de seguridad y la palabra "ADVERTENCIA" o "PRECAUCIÓN".

¡ADVERTENCIA!

Indica una situación potencialmente peligrosa que, si no se evita, puede provocar la muerte o lesiones graves.

¡PRECAUCIÓN!

Indica una situación potencialmente peligrosa que, si no se evita, puede provocar lesiones leves o moderadas.

Todos los mensajes de seguridad le dirán cuál es el peligro potencial, cómo reducir la posibilidad de lesiones y qué puede suceder si no se siguen las instrucciones.



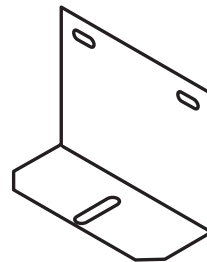
Peligro de descarga eléctrica

Desconecte la energía antes de dar servicio.

Use alambre de cobre sólido de calibre 12.

Horno electricamente molido.

El incumplimiento de estas instrucciones puede provocar la muerte, incendio o descarga eléctrica.



2x



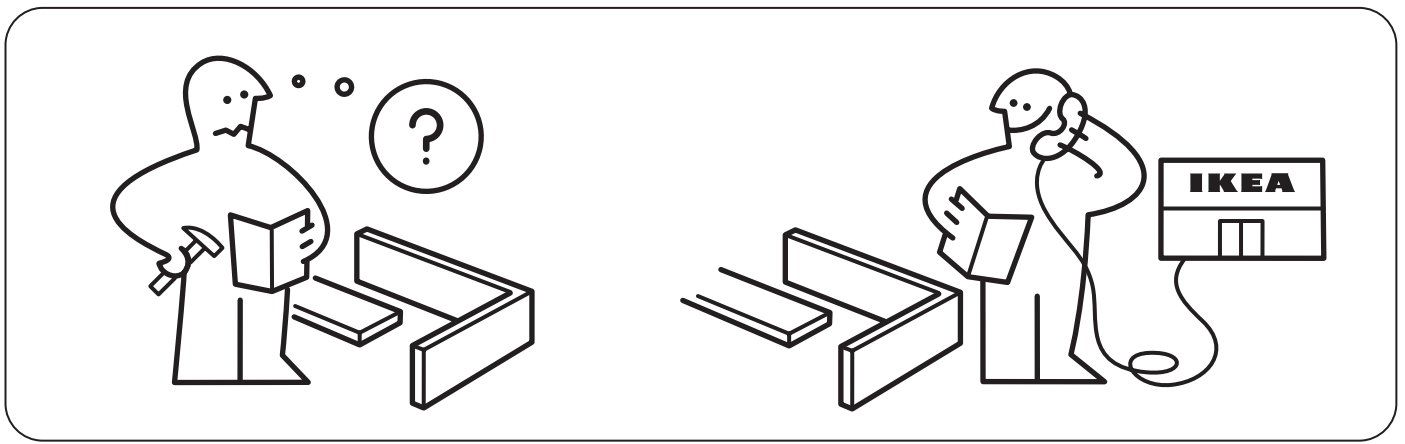
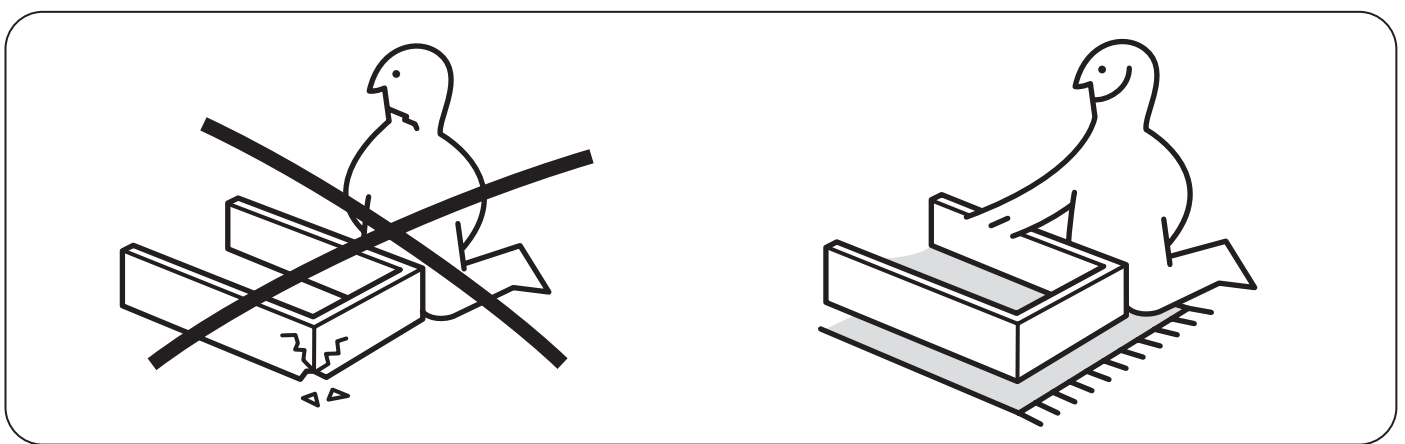
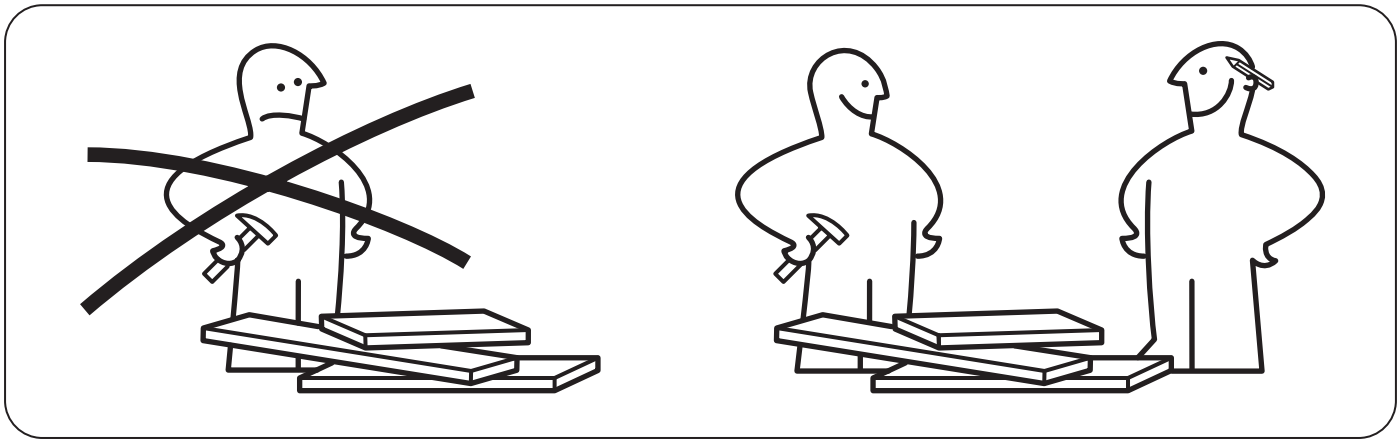
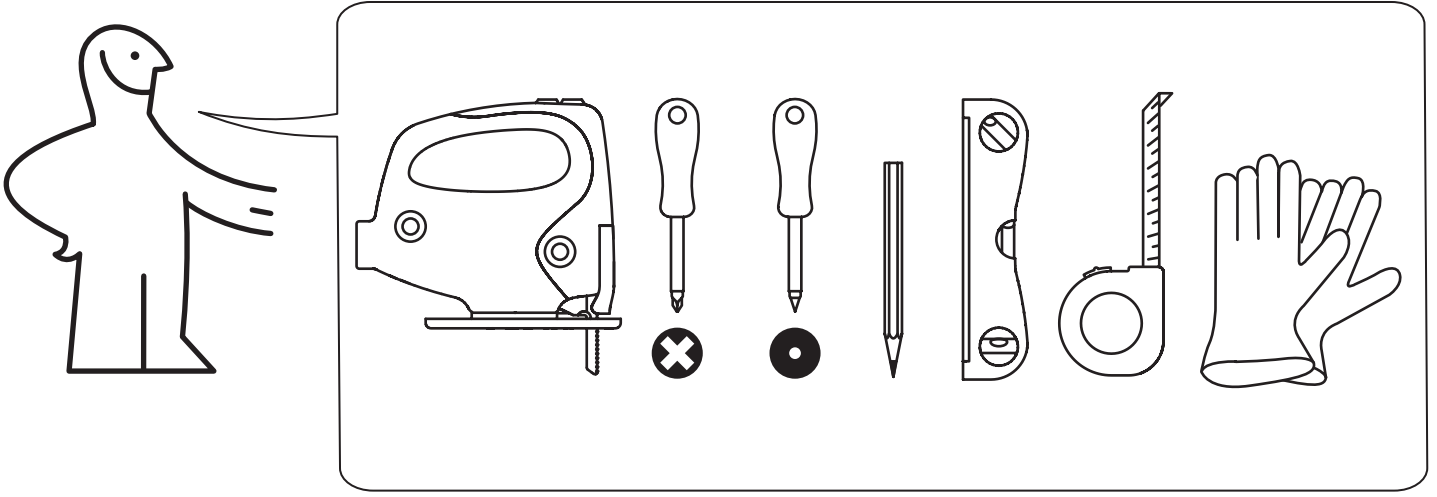
4x

Tornillo 1



2x

Tornillo 2



INFORMACIÓN IMPORTANTE PARA LA INSTALACIÓN

- Todas las estufas eléctricas funcionan con una alimentación eléctrica con puesta a tierra de fase singular, 3 o 4 alambres, 240/208 voltios, 60 hertz y sólo AC.
- La distancia mínima entre la superficie de la estufa y los gabinetes adyacentes y por encima son de 30" (76.2 cm).

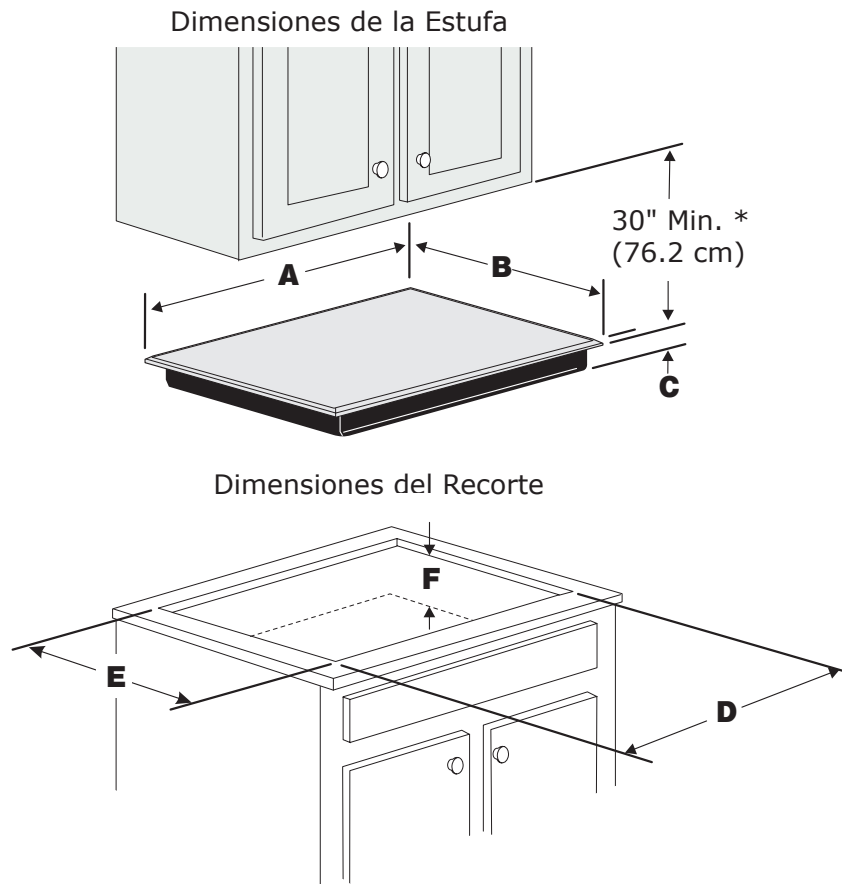


Figura 1

MODELO	A. LONGITUD	B. ANCHURA	C. PROFUNDIDAD	DIMENSIONES DE CORTE				F. PROFUNDIDAD DEBAJO DE LA COCINA*
				D. LONGITUD		E. ANCHURA		
				MIN.	MAX.	MIN.	MAX.	
30"	30" (76.2 cm)	21 ³ / ₈ " (54.4 cm)	2 ⁵ / ₈ " (6.7 cm)	28 ¹ / ₂ " (72.4 cm)	29 ⁷ / ₈ " (75.9 cm)	19 ⁵ / ₈ " (49.9 cm)	20 ¹ / ₂ " (52.1 cm)	5" (12.7 cm)

Todas las dimensiones se dan en pulgadas (cm).

Solo algunos modelos están disponibles en Canadá.

*Deje 2" (5 cm) de hueco debajo de la estufa para espacio para el cable eléctrico y la instalación de la caja de empalmes en la pared detrás de la estufa.

⚠ ¡PRECAUCIÓN!

Para evitar riesgos de quemaduras o incendios al tocar superficies calientes, se deben evitar los armarios sobre la superficie de los quemadores. Si existe un armario, se pueden reducir los riesgos instalando una campana que se extienda horizontalmente en un mínimo de 5" (12.7 cm) por sobre la parte inferior de los armarios.

Figura 2a – APERTURA DE CORTE DE CONTADOR

MODEL	G	H
30"	4" (10.2 cm)	7½" (19.1 cm)

* Las letras de esta figura se refieren al cuadro de la página principal, excepto **G** y **H**.

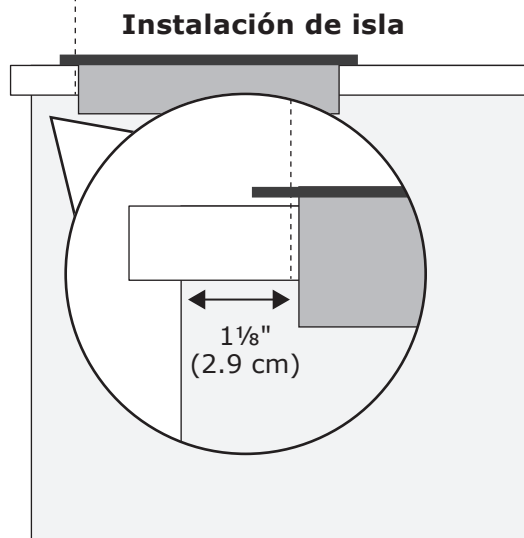
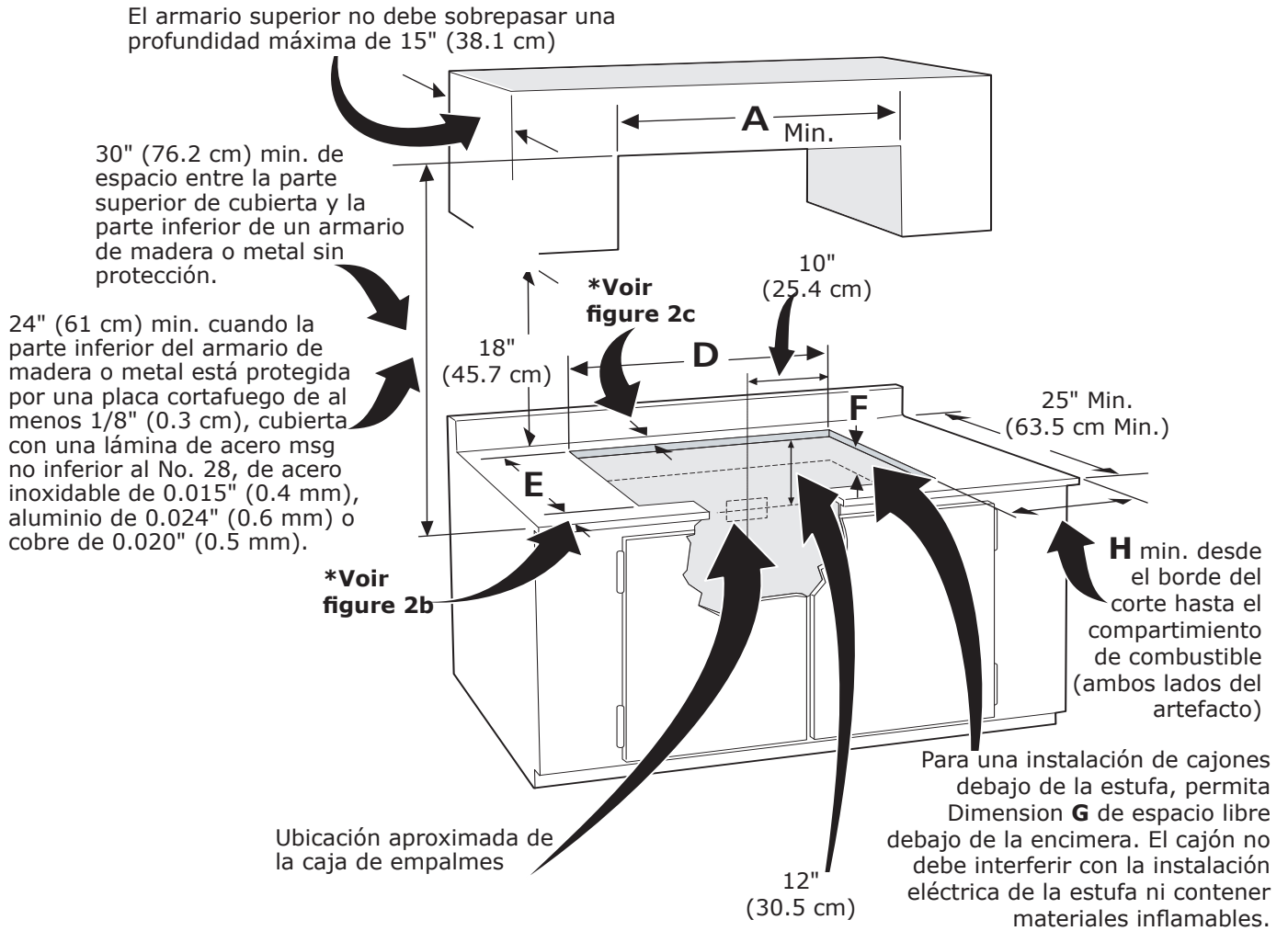


Figura 2b– Distancia mínima recomendada desde detrás del frente del gabinete

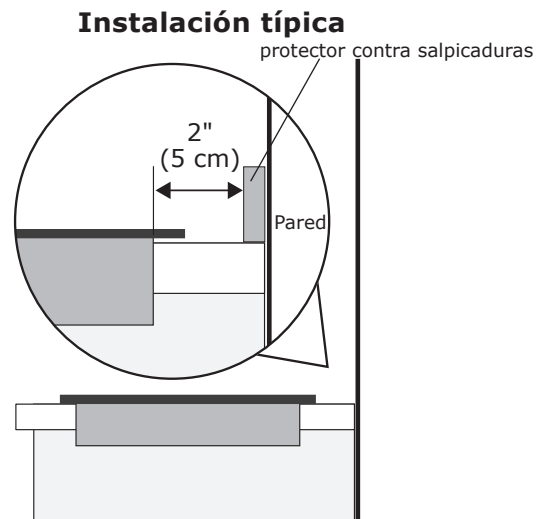


Figura 2c– Distancia mínima recomendada entre el borde posterior del corte y la superficie combustible más cercana detrás de la encimera

Notas importantes para el instalador

1. Lea todas las instrucciones contenidas en este manual antes de instalar la estufa.
2. Retire todo el material usado en el empaque de la estufa antes de conectar el suministro eléctrico a la estufa.
3. Observe todos los códigos y reglamentos pertinentes.
4. Deje estas instrucciones con el consumidor.
5. Todos los materiales utilizados en la construcción de gabinetes, gabinetes y soportes que rodean el producto deben tener una temperatura nominal superior a 194°F (90°C).

Nota importante al consumidor

Conserve estas instrucciones y el Manual del usuario para referencia futura.

INSTRUCCIONES IMPORTANTES DE SEGURIDAD

- Asegúrese de que su estufa sea instalada y puesta a tierra de forma apropiada por un instalador calificado o por un técnico de servicio.
- These cooktops must be electrically grounded in accordance with local codes or, in their absence, with the National Electrical Code ANSI/NFPA No. 70—latest edition in the United States, or with CSA Standard C22.1, Canadian Electrical Code, Part 1, in Canada.

⚠ ¡ADVERTENCIA!

La alimentación eléctrica a la estufa deberá apagarse mientras se hacen las conexiones de línea. El no hacerlo podría resultar en daños serios o la muerte.

Provea conexión eléctrica

Instale la caja de empalmes debajo del armario y provea un cable de 120/240 o 120/208 Voltios, AC al panel de circuitos del aparato.

NOTA: NO conecte la cable al panel de circuitos en este momento.

Requisitos eléctricos

Este electrodoméstico debe ser suministrado con el voltaje y la frecuencia adecuados, y conectado a un circuito derivado individual, debidamente conectado a tierra, protegido por un disyuntor o fusible. Su electrodoméstico requiere un disyuntor o fusible.

El disyuntor o amperaje de fusible recomendado para su electrodoméstico es 40A o 50A.

Observe todos los códigos de gobierno y las ordenanzas locales.

1. Se requiere un suministro eléctrico de 3 o 4 hilos monofásico de 120/240 o 120/208 voltios, 60 Hz CA solamente en un circuito separado con fusible en ambos lados de la línea (cables rojo y negro). Se recomienda un fusible de retardo de tiempo o un disyuntor. NO fusione el neutro (cable blanco). Solo se pueden instalar ciertos modelos de estufas sobre ciertos modelos de hornos eléctricos integrados. Las estufas y hornos empotrados aprobados se enumeran con el número de identificación de MFG (consulte la hoja de inserción incluida en el paquete de documentación)
2. El cable blindado flexible que se extiende desde el aparato debe conectarse directamente a la caja de conexiones. La caja de conexiones debe ubicarse como se muestra en la Figura 1 o la Figura 2 y con la mayor holgura posible en el cable entre la caja y el electrodoméstico, de modo que pueda moverse si alguna vez es necesario realizar el mantenimiento.
3. Se debe proporcionar un alivio de tensión adecuado para unir el cable blindado flexible a la caja de conexiones.

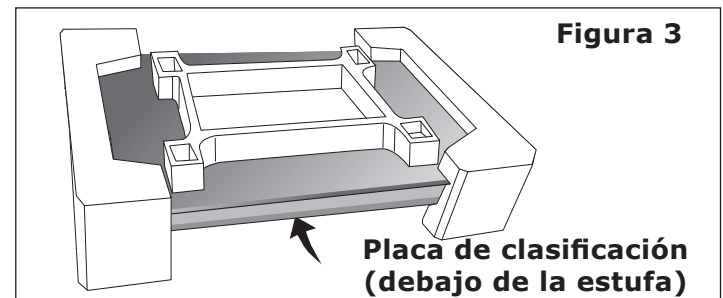
NOTA: Los tamaños y conexiones de los cables deben cumplir con el tamaño y la clasificación del fusible del electrodoméstico de acuerdo con el Código Eléctrico Nacional Americano ANSI / NFPA No. 70, última edición, o con el Estándar Canadiense CSA C22.1, Código Eléctrico Canadiense, Parte 1, y códigos y ordenanzas locales.

⚠ ¡ADVERTENCIA!

No se debe usar una extensión para enchufar este electrodoméstico. Esto podría resultar en un incendio, un choque eléctrico u otro tipo de daño personal.

Instrucciones para desempacar

1. Deje los soportes de esquina en la estufa hasta completar la conexión eléctrica.
2. Es importante que la parte superior lisa de vidrio cerámico se pretrate antes de su uso.



Conexión eléctrica

Conecte el cable blindado flexible que se extiende desde la unidad de superficie a la caja de conexiones utilizando un alivio de tensión adecuado en el punto en que el cable blindado ingresa a la caja de conexiones. Luego realice la conexión eléctrica de la siguiente manera.

¡ADVERTENCIA!

Riesgo de descarga eléctrica (No prestar atención a esta advertencia puede provocar electrocución u otras lesiones graves). Este aparato está equipado con cable de cobre. Si la conexión se realiza al cableado doméstico de aluminio, use solo conectores aprobados para unir cables de cobre y aluminio de acuerdo con el Código Eléctrico Nacional y el código y ordenanzas locales. Al instalar conectores que tengan tornillos que se apoyan directamente en el conducto flexible de acero y / o aluminio, no apriete los tornillos lo suficiente como para dañar el conducto flexible. No doble en exceso ni distorsione excesivamente el conducto flexible para evitar la separación de convoluciones y la exposición de los cables internos.

Se requiere conexión a tierra eléctrica en este aparato.

Este electrodoméstico se fabrica con un cable a tierra verde (o de cobre desnudo) conectado al marco.

¡ADVERTENCIA!

NO conecte a tierra a una tubería de suministro de gas. NO lo conecte a la fuente de alimentación eléctrica hasta que el electrodoméstico esté permanentemente conectado a tierra. Conecte el cable de tierra antes de encender la corriente.

Si su electrodoméstico no está equipado con un conductor neutro blanco:

Conéctese solo a una fuente de alimentación de 3 hilos, 120 / 240V; El conductor neutro no es necesario para el funcionamiento del aparato. El potencial en las conexiones eléctricas de la fuente de alimentación debe ser de 150 V a tierra o menos.

NOTA PARA EL ELECTRICISTA: Los cables de cable blindados suministrados con el aparato están reconocidos por UL para su conexión a un cableado doméstico de mayor calibre. El aislamiento de los cables está clasificado a temperaturas mucho más altas que la clasificación de temperatura del cableado doméstico. La capacidad de carga actual del conductor se rige por la clasificación de temperatura del aislamiento alrededor del cable, en lugar del calibre del cable solo.

RIESGO DE SHOCK ELÉCTRICO: La conexión a tierra a través del conductor neutro está prohibida para las nuevas instalaciones de circuito derivado (NEC de 1996); casas móviles; vehículos recreativos; o en Canadá, o en un área donde los códigos locales prohíben la conexión a tierra a través del conector neutro.

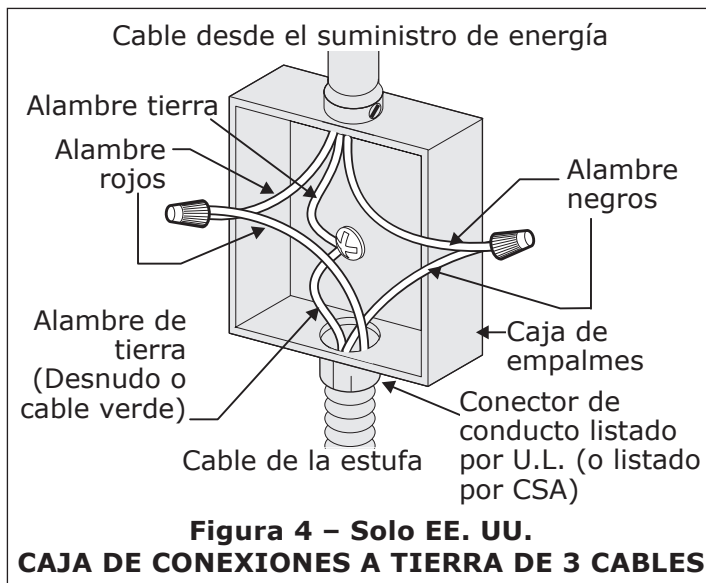
¡ADVERTENCIA!

(Si su electrodoméstico está equipado con un conductor neutro blanco). Este electrodoméstico está fabricado con una fuente de alimentación neutral blanca y un cable de cobre conectado al marco. El marco está conectado a tierra mediante la conexión del cable de conexión a tierra al cable neutro en la terminación del conducto, si se usa en EE. UU., En una nueva instalación de circuito derivado (1996 NEC), casa móvil, vehículos recreativos, donde el código local no permite la conexión a tierra a través del cable neutro (blanco) o en Canadá, desconecte el cable blanco y verde el uno del otro y use el cable de tierra a la unidad de tierra de acuerdo con los códigos locales, conecte el cable neutro al conductor neutral del circuito derivado de la manera habitual, vea la Figura 6 o 7. Si su electrodoméstico se debe conectar a una caja de conexiones con conexión a tierra de 3 cables (solo EE. UU.), donde el código local permite conectar el conductor de conexión a tierra del electrodoméstico al neutro (blanco), consulte la Figura 4 o 5.

Cuando los códigos locales permitan conectar el conductor de conexión a tierra del aparato al cable neutro (blanco) (solo EE. UU.):

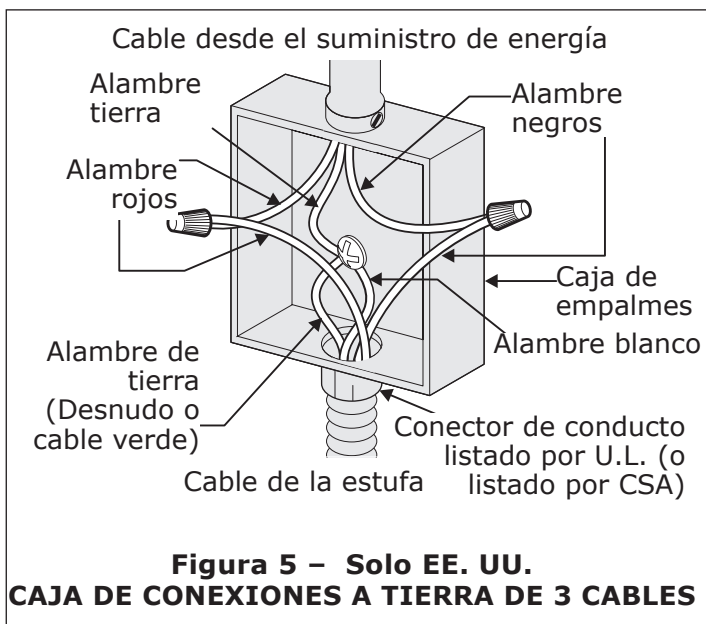
Su electrodoméstico tiene un cable de 3 hilos para conectarse a una caja de conexiones con conexión a tierra de 3 hilos (consulte la figura 4):

1. Desconecte la fuente de alimentación.
2. En el disyuntor, la caja de fusibles o la caja de conexiones: conecte los cables del aparato y del cable de alimentación como se muestra en la figura 4.



Su electrodoméstico tiene un cable de 4 hilos para conectarse a una caja de conexiones con conexión a tierra de 3 hilos (consulte la figura 5):

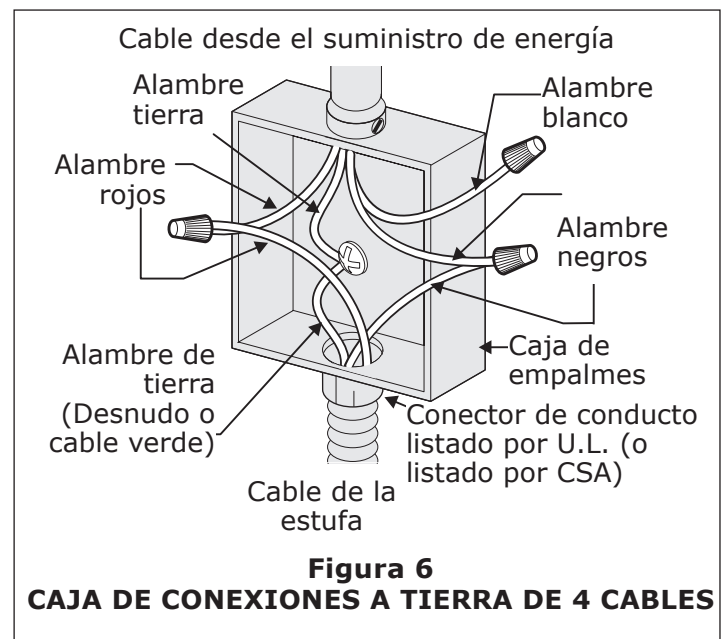
1. Desconecte la fuente de alimentación.
2. En la caja de conexiones: Conecte los cables del electrodoméstico y del cable de alimentación como se muestra en la Figura 5.



Si el electrodoméstico se usa en una nueva instalación de circuito derivado (NEC de 1996), casa móvil, vehículo recreativo, o donde los códigos locales no permiten la conexión a tierra a través del cable neutro (blanco), el marco del electrodoméstico NO DEBE conectarse al cable neutro de El sistema eléctrico de 4 hilos.

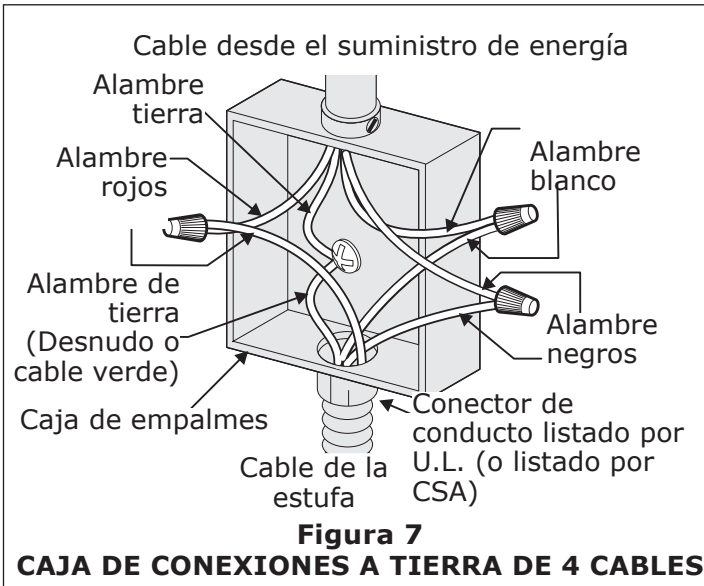
Su electrodoméstico tiene un cable de 3 hilos para conectarse a una caja de conexiones a tierra de 4 hilos (consulte la figura 6):

1. Desconecte la fuente de alimentación.
2. Separe los cables de los electrodomésticos verde (o cobre desnudo) y blanco.
3. Tape el cable blanco del cable de alimentación si se suministra un cable para electrodomésticos de 3 hilos.
4. En el disyuntor, caja de fusibles o caja de conexiones:
5. Conecte los cables del electrodoméstico y del cable de alimentación como se muestra en la figura 6.



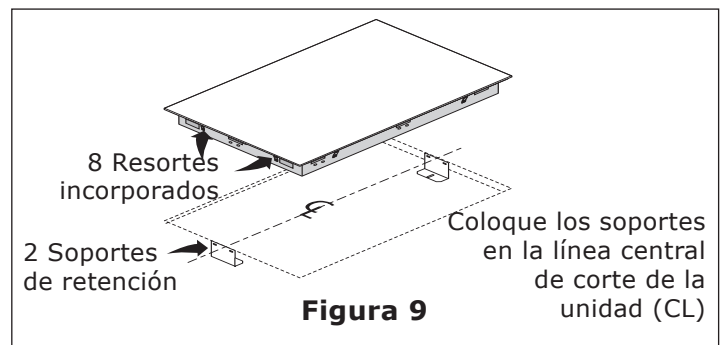
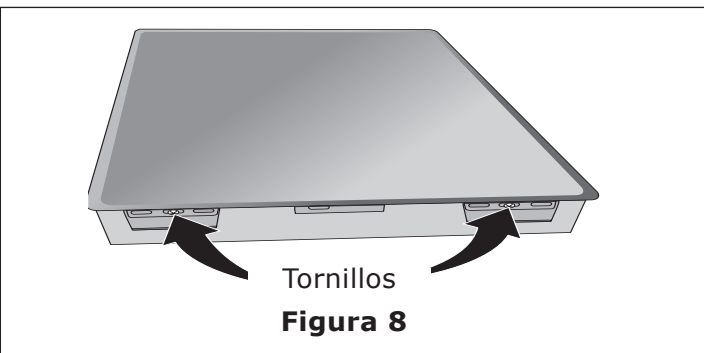
Su electrodoméstico tiene un cable de 4 hilos para conectarse a una caja de conexiones con conexión a tierra de 4 hilos (consulte la figura 7):

1. Desconecte la fuente de alimentación.
2. En la caja de conexiones:
Conecte los cables del electrodoméstico y del cable de alimentación como se muestra en la Figura 7.



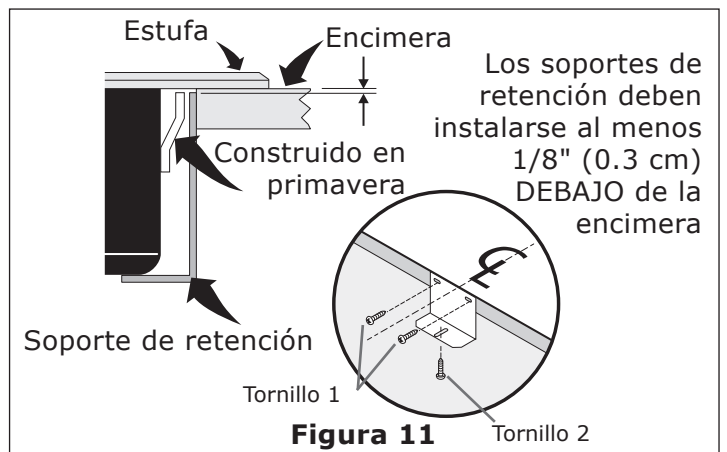
Instalación de estufa

1. Inspeccione visualmente la estufa en busca de daños. También asegúrese de que todos los tornillos de la estufa estén apretados (ver Figura 8).
2. Coloque la estufa en el recorte de la encimera.



Durante la instalación con un corte ancho, asegúrese de que la estufa esté centrada. La brecha A y B debe tener las mismas dimensiones. Los agujeros alargados en la parte inferior de los soportes de instalación están hechos para adaptarse a cada corte.

Los soportes de retención DEBEN instalarse para cumplir con los códigos locales o, en su ausencia, con el Código Eléctrico Nacional ANSI / NFPA No. 70 — última edición, o con el Estándar CSA C22.1, Código Eléctrico Canadiense, Parte 1 (ver Figura 11).



⚠ ¡ADVERTENCIA!

No quite los resortes incorporados en los bordes de la estufa. Estos resortes centran la estufa en el espacio provisto. La estufa debe estar centrada para evitar la acumulación de calor excesivo que puede provocar daños por calor o fuego (consulte la Figura 9).

Instalación de encimera dura

Si instala esta estufa en una encimera de granito, mármol u otra encimera dura, asegúrese de realizar las siguientes operaciones:

1. Use un adhesivo resistente al calor especificado para el material de su encimera).
2. Pegue los soportes (por la parte superior del soporte) exactamente donde se supone que deben estar de acuerdo con las instrucciones de instalación (use cinta adhesiva o cinta adhesiva similar).
3. Levante los soportes y aplique una cantidad generosa de adhesivo en la parte del borde de la encimera.
4. Aplique suficiente adhesivo para que haya exceso de adhesivo que fluirá / empujará a través de todos los agujeros en los soportes.
5. Aplique los soportes al adhesivo en la encimera, como se muestra en el diagrama.
6. Verifique visualmente que el exceso de adhesivo haya atravesado todos los agujeros en el soporte.
7. No retire el exceso de adhesivo que ha fluido / empujado a través de los agujeros del soporte. Una vez curado, este exceso de adhesivo proporcionará soporte adicional para los brackets.
8. Deje que el adhesivo cure durante el tiempo mínimo prescrito por el fabricante del adhesivo. Encontrará esta información en la superficie externa del contenedor de adhesivo.
9. Retire toda la cinta adhesiva de la instalación.
10. Instale la estufa en su lugar, como se especifica en el diagrama, y asegúrela con los tornillos de montaje.

Operación de verificación

Consulte el manual de usuario para la operación.

Ubicación del modelo y número de serie

La placa de clasificación se encuentra debajo de la estufa o en la caja del quemador y se puede ver levantando la parte superior de la unidad.

¡PRECAUCIÓN!

No toque el vidrio de la estufa ni los elementos. Pueden estar lo suficientemente calientes como para quemarlo.

Cuando ordene piezas o haga consultas sobre su estufa, siempre asegúrese de incluir los números de modelo y de serie y un número de lote o letra de la placa de clasificación en su estufa.

Antes de llamar al servicio

Lea la Lista de verificación para evitar el servicio y las instrucciones de funcionamiento en su Manual de usuario. Puede ahorrarle tiempo y gastos. La lista incluye eventos comunes que no son el resultado de mano de obra o materiales defectuosos en este artefacto.

Consulte la garantía en su Manual de usuario para obtener nuestro número de teléfono y dirección de servicio. Llame o escriba si tiene preguntas sobre su producto y / o necesita pedir piezas.

Para la instalación típica debajo del mostrador de un horno eléctrico incorporado, vea la Figura 12 a continuación.

Solo se pueden instalar ciertos modelos de estufas sobre ciertos modelos de hornos eléctricos integrados. Las estufas y hornos empotrados aprobados se enumeran por el número de identificación de MFG y el código del producto (consulte la hoja de inserción incluida en el paquete de literatura y las instrucciones de instalación de la estufa para conocer las dimensiones).

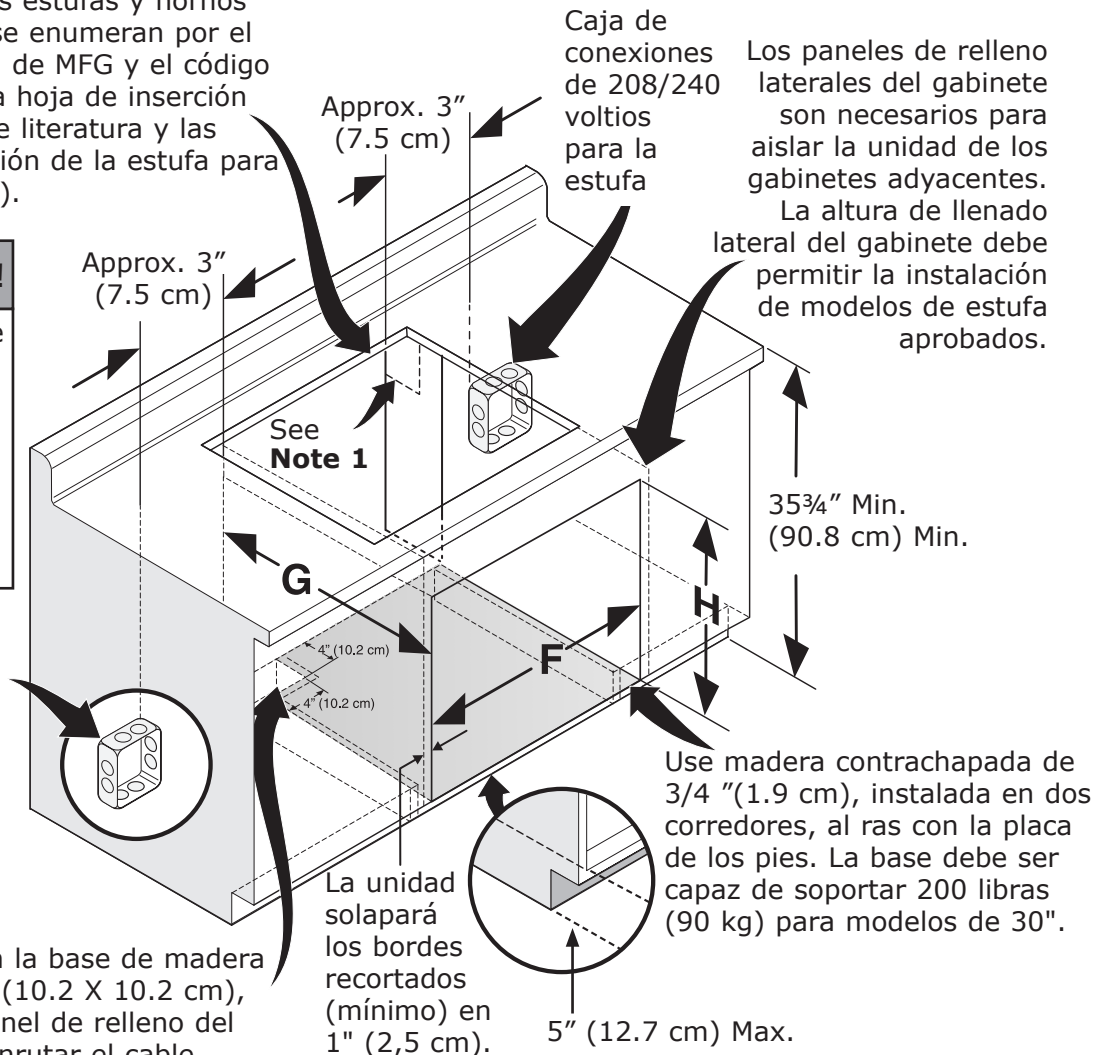
Nota 1: 4" x 4" (10.2 X 10.2 cm) apertura para enrutar el cable blindado desde la estufa a la caja de conexiones.

¡ADVERTENCIA!

Para reducir el riesgo de lesiones personales y la inclinación del horno de pared, el horno de pared debe asegurarse a los gabinetes mediante tornillos de montaje.

Caja de conexiones de 208/240 voltios para horno empotrado.

Corte una abertura en la base de madera como mínimo 4 "x 4" (10.2 X 10.2 cm), 2 "(5 cm) desde el panel de relleno del lado izquierdo, para enrutar el cable blindado a la caja de conexiones.



DIMENSIONES DE CORTE

	F. ANCHURA	G. PROFUNDIDAD	H. ALTURA
30" (76.2 cm) Horno de pared	28½" (72.4 cm) Min. 29" (73.7 cm) Max.	23½" (59.7 cm) Min.	27¼" (69.2 cm) Min. 28¼" (71.8 cm) Max.

Figura 12- TÍPICO BAJO LA CONTRA INSTALACIÓN DE UN SOLO HORNO ELÉCTRICO EMPOTRADO CON UNA COCINA ELÉCTRICA MONTADA SOBRE

UN INSTALLATEUR QUALIFIÉ DOIT EFFECTUER L'INSTALLATION ET LE SERVICE. IMPORTANT: CONSERVEZ CES INSTRUCTIONS POUR LES INSPECTEURS LOCAUX. LISEZ CES INSTRUCTIONS ET CONSERVEZ-LES POUR RÉFÉRENCES ULTÉRIEURES.



AVERTISSEMENT!

POUR VOTRE SÉCURITÉ: N'entreposez pas et n'utilisez pas d'essence ou d'autres vapeurs et liquides inflammables à proximité de cet appareil ou de tout autre appareil.

Votre sécurité et celle des autres sont très importantes.

Nous avons fourni de nombreux messages de sécurité importants dans ce manuel et sur votre appareil. Lisez et respectez toujours tous les messages de sécurité.



C'est le symbole d'alerte de sécurité.

Ce symbole vous avertit des dangers potentiels qui peuvent vous tuer ou blesser, ainsi que d'autres personnes.

Tous les messages de sécurité suivront le symbole d'alerte de sécurité et le mot "AVERTISSEMENT" ou "ATTENTION".

AVERTISSEMENT!

Indique une situation potentiellement dangereuse qui, si elle n'est pas évitée, peut entraîner la mort ou des blessures graves.

ATTENTION

Indique une situation potentiellement dangereuse qui, si elle n'est pas évitée, peut entraîner des blessures mineures ou modérées.

Tous les messages de sécurité vous diront quel est le danger potentiel, vous diront comment réduire le risque de blessure et vous diront ce qui peut arriver si les instructions ne sont pas suivies.



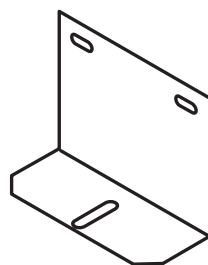
Risque de choc électrique

Débranchez l'alimentation avant l'entretien.

Utilisez du fil de cuivre massif de calibre 12.

Four électriquement rectifié.

Le non-respect de ces instructions peut entraîner la mort, un incendie ou un choc électrique.



2x



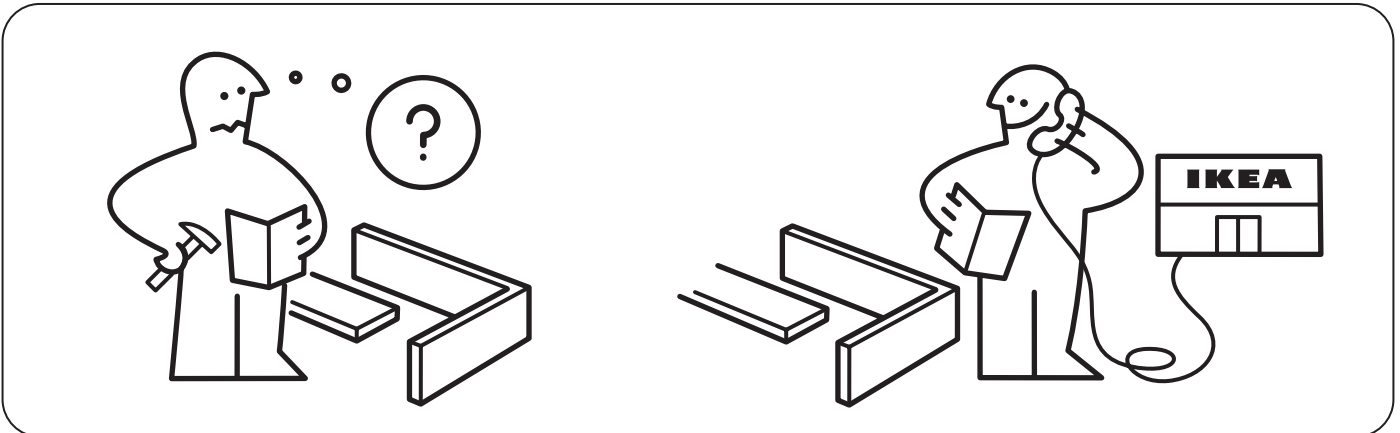
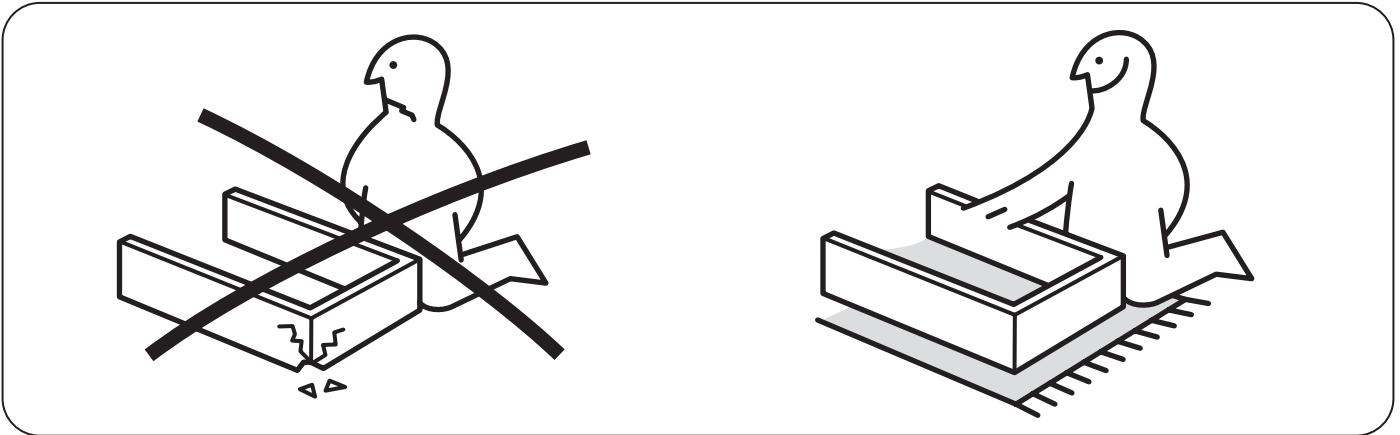
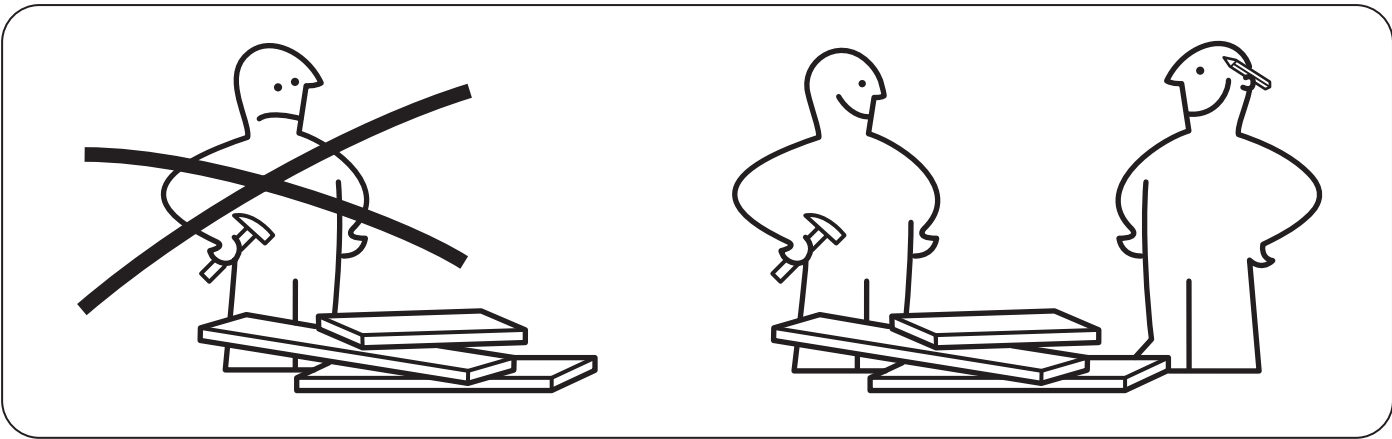
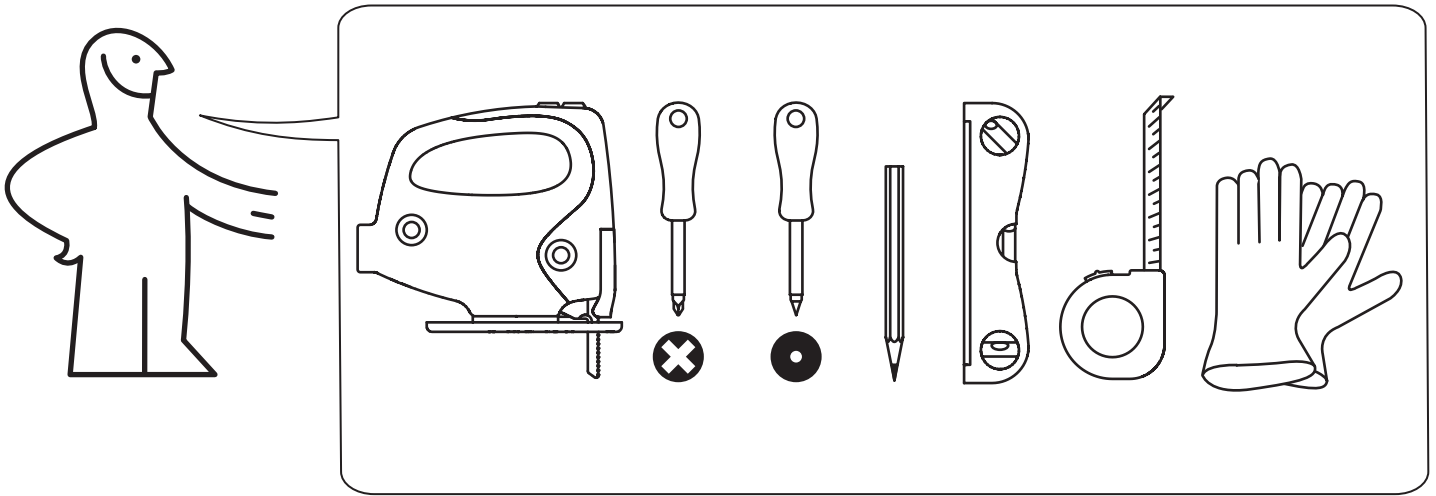
Vis 1

4x



Vis 2

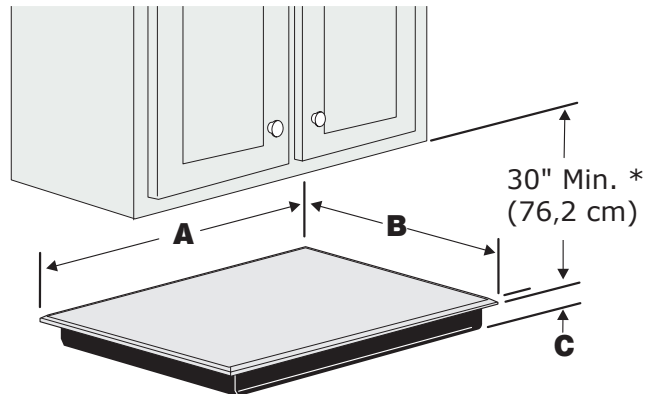
2x



INFORMATIONS IMPORTANTES SUR L'INSTALLATION

- Toutes les tables de cuisson électriques fonctionnent avec un câble monophasé, à trois ou quatre fils, 240/208 volts, 60 hertz, alimentation électrique CA uniquement avec mise à la terre.
- La distance minimale entre la table de cuisson et les armoires suspendues est de 30 "(76,2 cm).

Dimensions de la table de cuisson



Dimensions de découpe de la table de cuisson

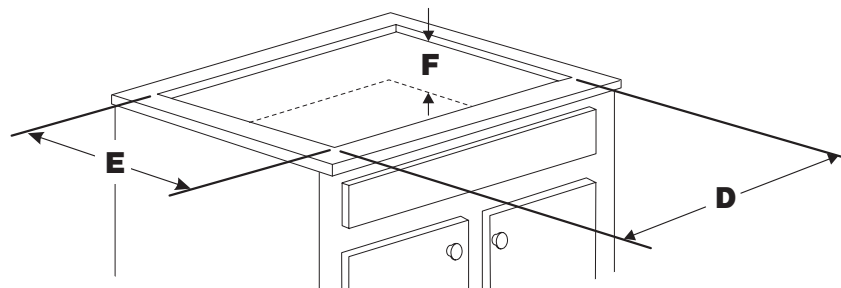


Figure 1

MODÈLE	A. LONGUEUR	B. LARGEUR	C. PROFONDEUR	DIMENSIONS DE DÉCOUPE				F. PROFONDEUR SOUS LA TABLE DE CUISSON*
				D. LONGUEUR MIN.	D. LONGUEUR MAX.	E. LARGEUR MIN.	E. LARGEUR MAX.	
30"	30" (76,2 cm)	21 ³ / ₈ " (54,4 cm)	2 ⁵ / ₈ " (6,7 cm)	28 ¹ / ₂ " (72,4 cm)	29 ⁷ / ₈ " (75,9 cm)	19 ⁵ / ₈ " (49,9 cm)	20 ¹ / ₂ " (52,1 cm)	5" (12,7 cm)

Toutes les dimensions sont indiquées en pouces et (cm).

Laissez un espace de 2 "(5 cm) sous l'ouverture du câble blindé pour dégager le câble électrique et laissez de l'espace pour l'installation de la boîte de jonction sur le mur à l'arrière de la table de cuisson.

⚠ ATTENTION

Pour éliminer le risque de brûlures ou d'incendie en atteignant sur des surfaces chauffées, l'espace de rangement de l'armoire situé au-dessus de la table de cuisson doit être évité. Si un espace de rangement est fourni, le risque peut être réduit en installant une hotte qui dépasse horizontalement d'au moins 5 "(12,7 cm) au-dessous du bas des armoires.

Figure 2a – OUVERTURE DE DÉCOUPE DE COMPTOIR

MODÈLE	G	H
30"	4" (10.2 cm)	7½" (19.1 cm)

* Les lettres sur cette figure renvoient au tableau de la première page à l'exception de **G** et **H**.

L'armoire suspendue ne doit pas dépasser
Profondeur maximale de 15" (38.1 cm)

30" (76,2 cm) Min. Espace entre le haut de la plateforme de cuisson et le bas d'une armoire en bois ou en métal non protégée

24 po (61 cm) min. Lorsque le fond d'une armoire en bois ou en métal est protégé par au moins un panneau de montage ignifuge de 1/8 po recouvert d'au moins 28 tôles d'acier MGS, 0,015 po (0,4 mm) d'acier inoxydable, 0,024" (0,6 mm) aluminium ou 0,020" (0,5 mm) cuivre

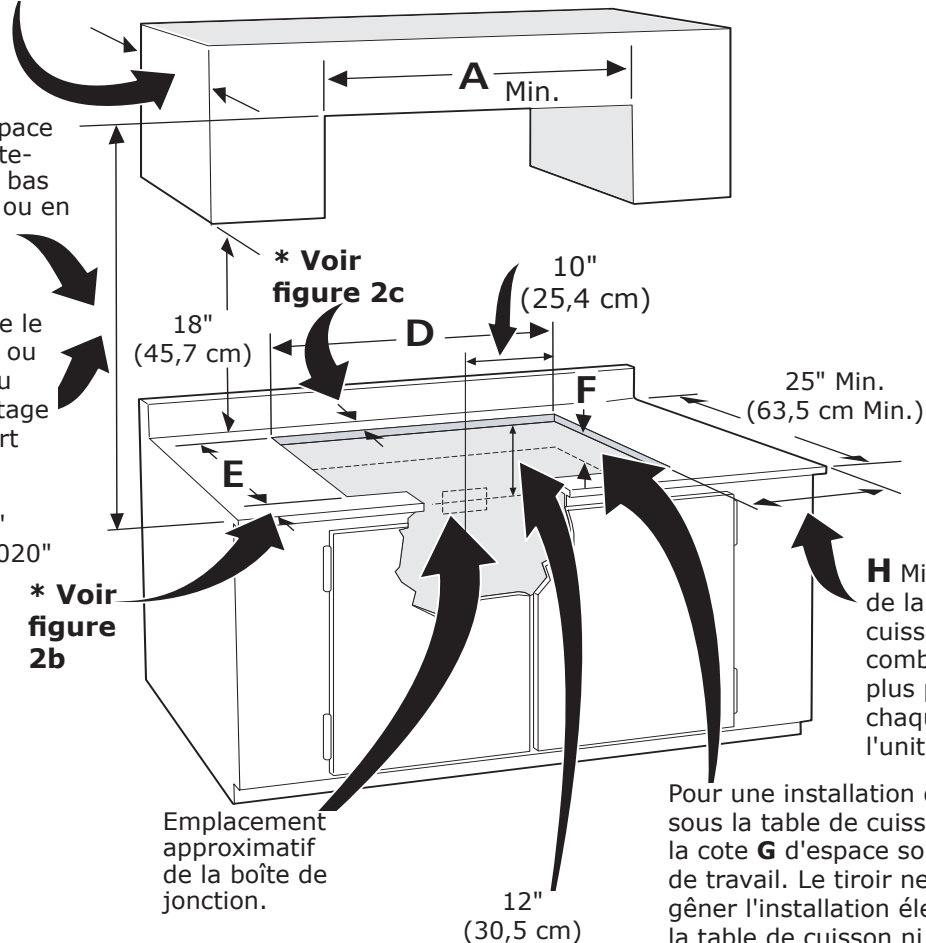
* Voir figure 2b

Emplacement approximatif de la boîte de jonction.

12"
(30,5 cm)

Pour une installation de tiroir sous la table de cuisson, laissez la cote **G** d'espace sous le plan de travail. Le tiroir ne doit pas gêner l'installation électrique de la table de cuisson ni contenir de matériaux inflammables.

H Min. Du bord de la table de cuisson au mur combustible le plus proche (de chaque côté de l'unité).



Installation de l'îlot

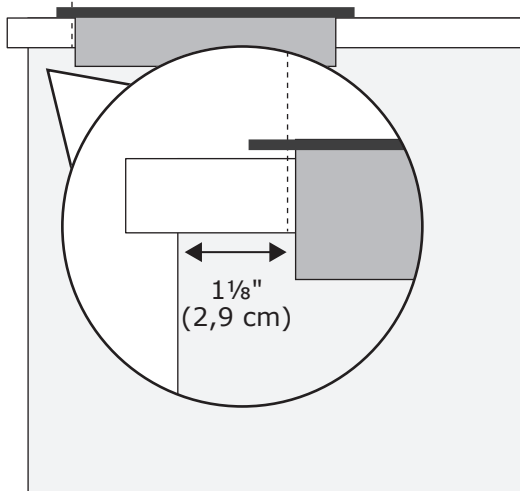


Figure 2b - Distance minimale recommandée depuis l'arrière de l'armoire

Installation typique

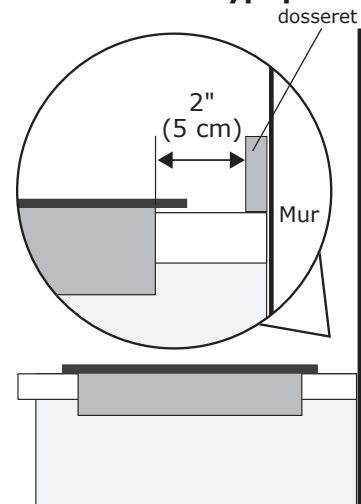


Figure 2c - Distance minimale recommandée entre le bord arrière de la découpe et la surface combustible la plus proche derrière le comptoir

Remarques importantes pour l'installateur

1. Lisez toutes les instructions contenues dans ces instructions d'installation avant d'installer la table de cuisson.
2. Retirez tous les matériaux d'emballage avant de connecter l'alimentation électrique à la table de cuisson.
3. Respectez tous les codes et ordonnances en vigueur.
4. Assurez-vous de laisser ces instructions au consommateur.
5. Tous les matériaux utilisés dans la construction des armoires, des enceintes et des supports entourant le produit doivent avoir une température supérieure à 90°C (194°F).

Remarque importante pour le consommateur

Conservez ces instructions avec votre Manuel de l'Utilisateur pour référence ultérieure.

CONSIGNES DE SÉCURITÉ IMPORTANTES

- Assurez-vous que votre table de cuisson est installée et mise à la terre correctement par un installateur qualifié ou un technicien de service.
- Ces tables de cuisson doivent être mises à la terre conformément aux codes locaux ou, en leur absence, au National Electrical Code ANSI / NFPA n ° 70 - dernière édition aux États-Unis ou à la norme CSA C22.1, Code canadien de l'électricité, partie 1, au Canada.

⚠ AVERTISSEMENT!

L'alimentation électrique de la table de cuisson doit être coupée pendant les connexions de ligne. Ne pas le faire pourrait entraîner des blessures graves ou la mort.

Fournir une connexion électrique

Installez la boîte de jonction sous l'armoire et faites passer le fil CA 120/240 ou 120/208 volts à partir du panneau de circuit principal.

REMARQUE: NE connectez PAS le fil au panneau de circuit à ce stade.

Exigences électriques

Cet appareil doit être alimenté avec la tension et la fréquence appropriées et connecté à un circuit de dérivation individuel correctement mis à la terre, protégé par un disjoncteur ou un fusible. Un disjoncteur ou un fusible est requis par votre appareil. **L'ampérage du disjoncteur ou du fusible recommandé pour votre appareil est de 40A ou 50A.**

Respectez tous les codes en vigueur et les ordonnances locales

1. Une alimentation électrique monophasée à 3 ou 4 fils de 120/240 ou 120/208 volts, 60 Hz CA uniquement est requise sur un circuit séparé fusionné des deux côtés de la ligne (fils rouge et noir). Un fusible temporisé ou un disjoncteur est recommandé. NE PAS fusionner le neutre (fil blanc). Seuls certains modèles de plaques de cuisson peuvent être installés sur certains modèles de fours électriques intégrés. Les tables de cuisson et les fours encastrés approuvés sont répertoriés par le numéro d'identification MFG (voir la feuille d'encart incluse dans la documentation)
2. Le câble blindé flexible s'étendant de l'appareil doit être connecté directement à la boîte de jonction. La boîte de jonction doit être située comme indiqué sur la figure 1 ou la figure 2 et avec autant de jeu que possible restant dans le câble entre la boîte et l'appareil, afin qu'elle puisse être déplacée si un entretien est nécessaire.
3. Un réducteur de tension approprié doit être fourni pour fixer le câble blindé flexible à la boîte de jonction.

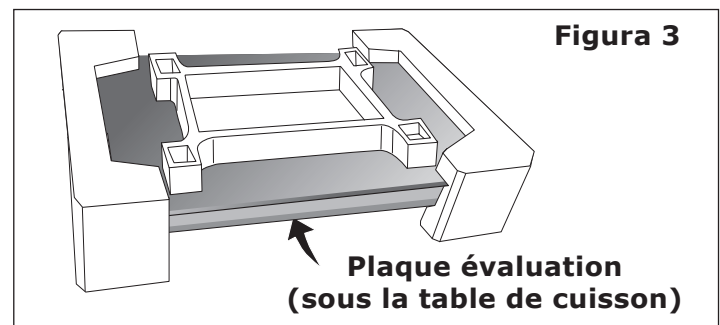
REMARQUE: Les tailles et les connexions des fils doivent être conformes à la taille et à la valeur nominale du fusible de l'appareil, conformément à la dernière édition du Code national américain de l'électricité ANSI / NFPA n ° 70 ou à la norme canadienne CSA C22.1, Code électrique canadien, partie 1 et les codes et ordonnances locaux.

⚠ AVERTISSEMENT!

Une rallonge ne doit pas être utilisée avec cet appareil. Une telle utilisation peut entraîner un incendie, un choc électrique ou d'autres blessures.

Instructions de déballage

1. Laissez les supports d'angle sur la table de cuisson jusqu'à la fin du raccordement électrique.
2. Il est important que le dessus lisse en vitrocéramique soit prétraité avant utilisation.



Connexion électrique

Il est de la responsabilité et de l'obligation du consommateur de contacter un installateur qualifié pour s'assurer que l'installation électrique est adéquate et conforme au National Electrical Code ANSI / NFPA n° 70-dernière édition, ou à la norme CSA C22.1, Canadian Code électrique, partie 1, et codes et ordonnances locaux.

AVERTISSEMENT!

Risque de choc électrique (le non-respect de cet avertissement peut entraîner une électrocution ou d'autres blessures graves.) Cet appareil est équipé d'un fil de cuivre. Si la connexion est faite au câblage de la maison en aluminium, utilisez uniquement des connecteurs qui sont approuvés pour joindre le fil de cuivre et d'aluminium conformément au Code national de l'électricité et au code local et aux ordonnances. Lors de l'installation de connecteurs ayant des vis qui s'appuient directement sur le conduit flexible en acier et / ou en aluminium, ne serrez pas suffisamment les vis pour endommager le conduit flexible. Ne pas plier ou déformer excessivement les conduits flexibles pour éviter la séparation des circonvolutions et l'exposition des fils internes.

Une mise à la terre électrique est requise sur cet appareil.

Cet appareil est fabriqué avec un fil de terre vert (ou cuivre nu) connecté au châssis.

AVERTISSEMENT!

NE PAS mettre à la terre un tuyau d'alimentation en gaz. NE PAS connecter à l'alimentation électrique tant que l'appareil n'est pas mis à la terre en permanence. Connectez le fil de terre avant de mettre sous tension.

Si votre appareil n'est pas équipé d'un conducteur neutre blanc:

Connectez uniquement à une alimentation à 3 fils, 120 / 240V; le conducteur neutre n'est pas requis pour le fonctionnement de l'appareil. Le potentiel au niveau des connexions électriques d'alimentation doit être de 150 V à la terre ou moins.

REMARQUE À L'ÉLECTRICIEN: Les fils de câble blindés fournis avec l'appareil sont reconnus UL pour la connexion à un câblage domestique de plus gros calibre. L'isolation des fils est évaluée à des températures beaucoup plus élevées que la température nominale du câblage domestique. La capacité de charge actuelle du conducteur est régie par la température nominale de l'isolation autour du fil, plutôt que par le calibre du fil seul.

RISQUE DE CHOC ÉLECTRIQUE: La mise à la terre à travers le conducteur neutre est interdite pour les nouvelles installations de dérivation (1996 NEC); maisons mobiles; véhicules récréatifs; ou au Canada, ou dans une zone où les codes locaux interdisent la mise à la terre via le connecteur neutre.

AVERTISSEMENT!

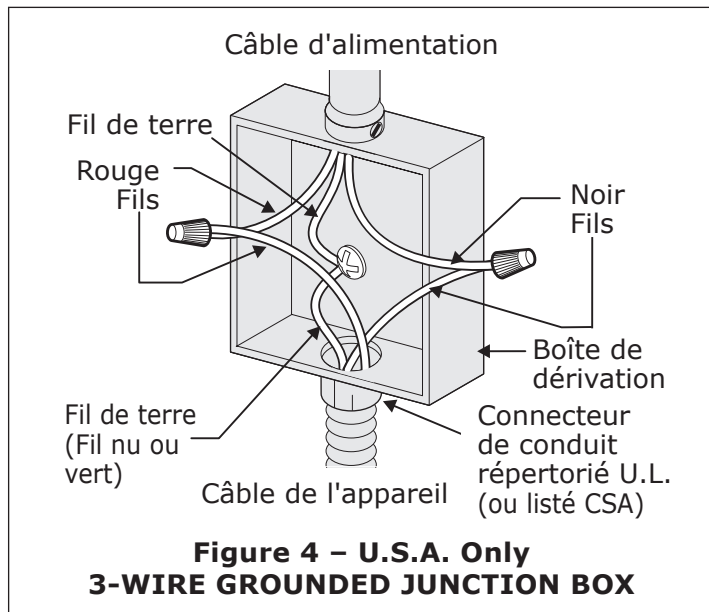
(Si votre appareil est équipé d'un conducteur neutre blanc.)

Cet appareil est fabriqué avec une alimentation neutre blanche et un fil de cuivre connecté au châssis. Le cadre est mis à la terre par la connexion du fil de mise à la terre au fil neutre à la terminaison du conduit, s'il est utilisé aux États-Unis, dans une nouvelle installation de circuit de dérivation (NEC 1996), maison mobile, véhicules de loisirs, où le code local ne permet pas la mise à la terre à travers le fil neutre (blanc) ou au Canada, déconnectez les fils blanc et vert l'un de l'autre et utilisez le fil de terre à l'unité de masse conformément aux codes locaux, connectez le fil neutre au conducteur neutre du circuit de dérivation de la manière habituelle, voir figure 6 ou 7. Si votre appareil doit être connecté à une boîte de jonction à 3 fils mise à la terre (États-Unis uniquement), où le code local permet de connecter le conducteur de mise à la terre de l'appareil au neutre (blanc), voir la figure 4 ou 5.

Lorsque les codes locaux permettent de connecter le conducteur de mise à la terre de l'appareil au fil neutre (blanc) (États-Unis uniquement):

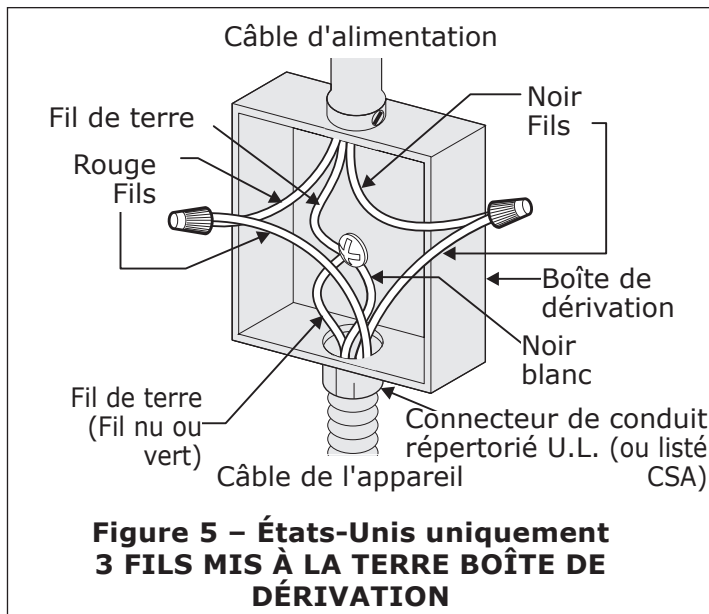
Votre appareil possède un câble à 3 fils à connecter à une boîte de jonction à 3 fils avec mise à la terre (voir figure 4):

1. Débranchez l'alimentation.
2. Dans le disjoncteur, la boîte à fusibles ou la boîte de jonction: connectez les fils de l'appareil et du câble d'alimentation comme indiqué sur la figure 4.



Votre appareil possède un câble à 4 fils à connecter à une boîte de jonction à 3 fils avec mise à la terre (voir figure 5):

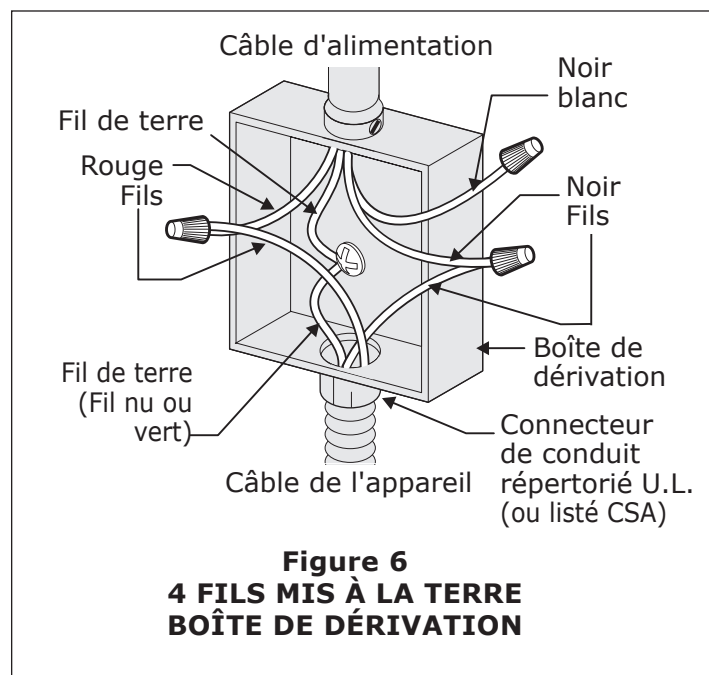
1. Débranchez l'alimentation.
2. Dans la boîte de jonction: Branchez l'appareil et les fils du câble d'alimentation comme illustré à la figure 5.



Si l'appareil est utilisé dans une nouvelle installation de circuit de dérivation (NEC 1996), une maison mobile, un véhicule récréatif ou lorsque les codes locaux ne permettent pas la mise à la terre à travers le fil neutre (blanc), le cadre de l'appareil NE DOIT PAS être connecté au fil neutre de le système électrique à 4 fils.

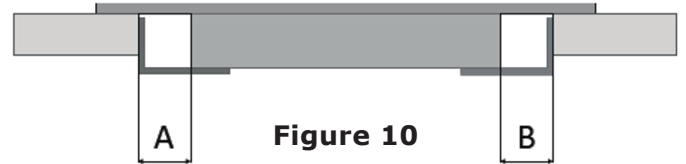
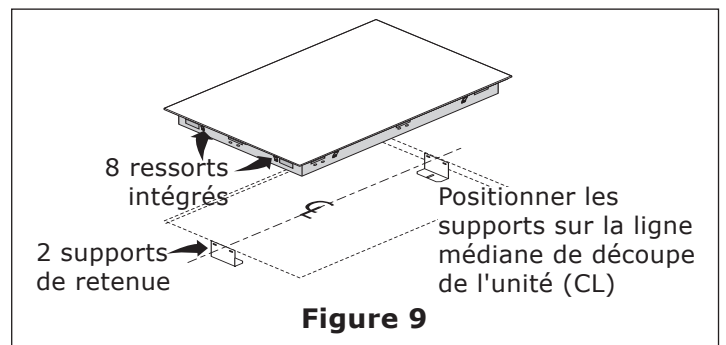
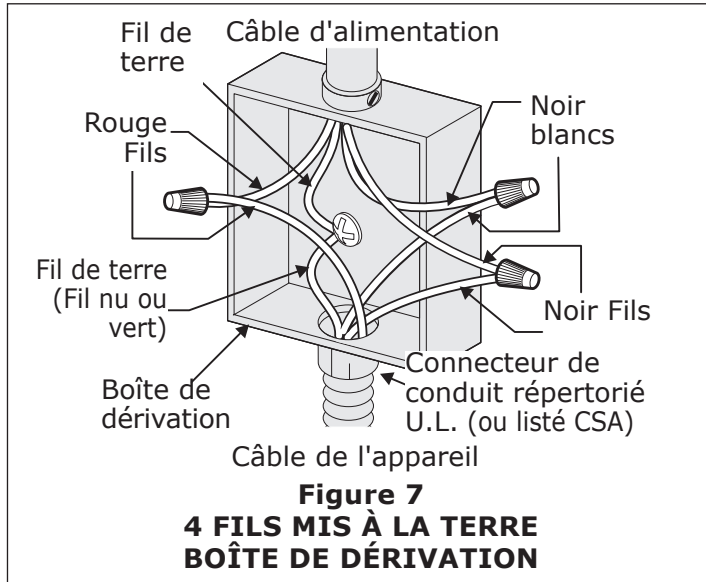
Votre appareil dispose d'un câble à 3 fils à connecter à une boîte de jonction à 4 fils avec mise à la terre (voir figure 6):

1. Débranchez l'alimentation.
2. Séparez les fils des câbles de l'appareil vert (ou cuivre nu) et blanc.
3. Bouchez le fil blanc du câble d'alimentation si un câble d'appareil à 3 fils est fourni.
4. Dans le disjoncteur, la boîte à fusibles ou la boîte de jonction:
5. Branchez l'appareil et les fils du câble d'alimentation comme indiqué sur la figure 6.



Votre appareil dispose d'un câble à 4 fils à connecter à une boîte de jonction à 4 fils avec mise à la terre (voir figure 7):

1. Débranchez l'alimentation.
2. Dans la boîte de jonction: Branchez l'appareil et les fils du câble d'alimentation comme illustré à la figure 7.

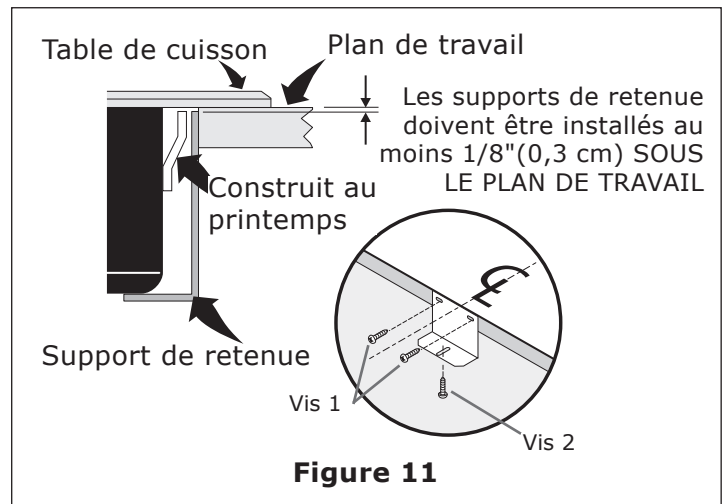
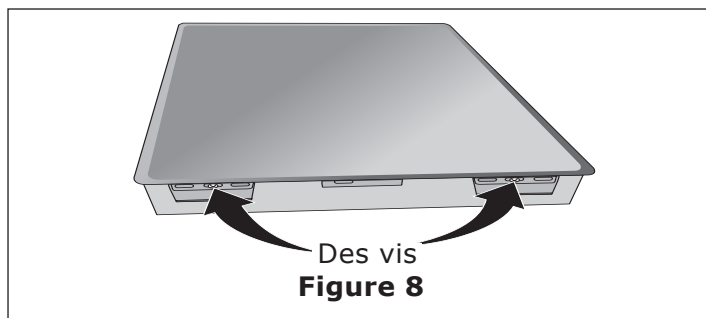


Pendant l'installation avec une large ouverture, assurez-vous que la table de cuisson est centrée. Les espaces A et B doivent avoir les mêmes dimensions. Les trous allongés au bas des supports d'installation sont faits pour s'adapter à chaque découpe.

Les supports de retenue DOIVENT être installés, conformément aux codes locaux ou, en leur absence, au National Electrical Code ANSI / NFPA n ° 70 - dernière édition, ou à la norme CSA C22.1, Code canadien de l'électricité, partie 1 (voir la figure 11).

Installation de la table de cuisson

1. Inspectez visuellement la table de cuisson pour tout dommage. Assurez-vous également que toutes les vis de la table de cuisson sont serrées (voir figure 8).
2. Placez la table de cuisson dans la découpe du plan de travail.



⚠ AVERTISSEMENT!

Ne retirez pas les ressorts intégrés sur les bords de la table de cuisson. Ces ressorts centrent la table de cuisson dans l'espace prévu. La table de cuisson doit être centrée pour éviter une accumulation de chaleur excessive qui pourrait entraîner des dommages dus à la chaleur ou un incendie (voir la figure 9).

Installation de comptoir dur

Si vous installez cette table de cuisson dans un granit, du marbre ou un autre plan de travail dur, assurez-vous d'effectuer les opérations suivantes:

1. Utilisez un adhésif résistant à la chaleur spécifié pour le matériau de votre comptoir.
2. Collez les supports (par le haut du support) exactement là où ils sont censés être conformément aux instructions d'installation (utilisez du ruban adhésif ou du ruban adhésif similaire).
3. Soulevez les supports et appliquez une généreuse quantité d'adhésif sur la lèvre du comptoir.
4. Appliquez suffisamment d'adhésif pour qu'il y ait un excès d'adhésif qui s'écoulera / poussera à travers tous les trous des supports.
5. Appliquez les supports sur l'adhésif sur le plan de travail, comme indiqué sur le schéma.
6. Vérifiez visuellement que l'adhésif en excès a traversé tous les trous du support.
7. Ne retirez pas l'adhésif en excès qui a coulé / poussé à travers les trous du support. Une fois durci, cet excès d'adhésif fournira un support supplémentaire pour les supports.
8. Laissez l'adhésif sécher pendant le temps minimum prescrit par le fabricant de l'adhésif. Vous trouverez ces informations sur la surface externe du récipient d'adhésif.
9. Retirez tout le ruban adhésif de l'installation.
10. Installez la table de cuisson en place, comme spécifié dans le schéma, et fixez-la avec des vis de montage.

Vérification du fonctionnement

Reportez-vous au Manuel de l'Utilisateur pour le fonctionnement.

Emplacement du modèle et du numéro de série

ATTENTION

Ne touchez pas le verre ni les éléments de la table de cuisson. Ils peuvent être assez chauds pour vous brûler.

La plaque évaluation est située sous la table de cuisson ou dans la boîte du brûleur et peut être vue en soulevant le haut principal de l'unité.

Lorsque vous commandez des pièces ou demandez des renseignements sur votre table de cuisson, assurez-vous toujours d'inclure le modèle et les numéros de série ainsi qu'un numéro de lot ou une lettre de la plaque évaluation sur votre table de cuisson.

Avant d'appeler le service

Lisez la liste de contrôle pour éviter les réparations et les instructions d'utilisation dans votre Manuel de l'Utilisateur. Reportez-vous au Manuel de l'Utilisateur pour le fonctionnement. Cela peut vous faire économiser temps et argent. La liste comprend les événements courants qui ne sont pas le résultat d'une fabrication ou de matériaux défectueux dans cet appareil.

Reportez-vous à la garantie dans votre Manuel de l'Utilisateur pour connaître notre numéro de téléphone et notre adresse de service. Veuillez appeler ou écrire si vous avez des questions concernant votre produit et / ou si vous avez besoin de commander des pièces.

Pour une installation sous le comptoir typique d'un four électrique encastré, voir la figure 12 ci-dessous.

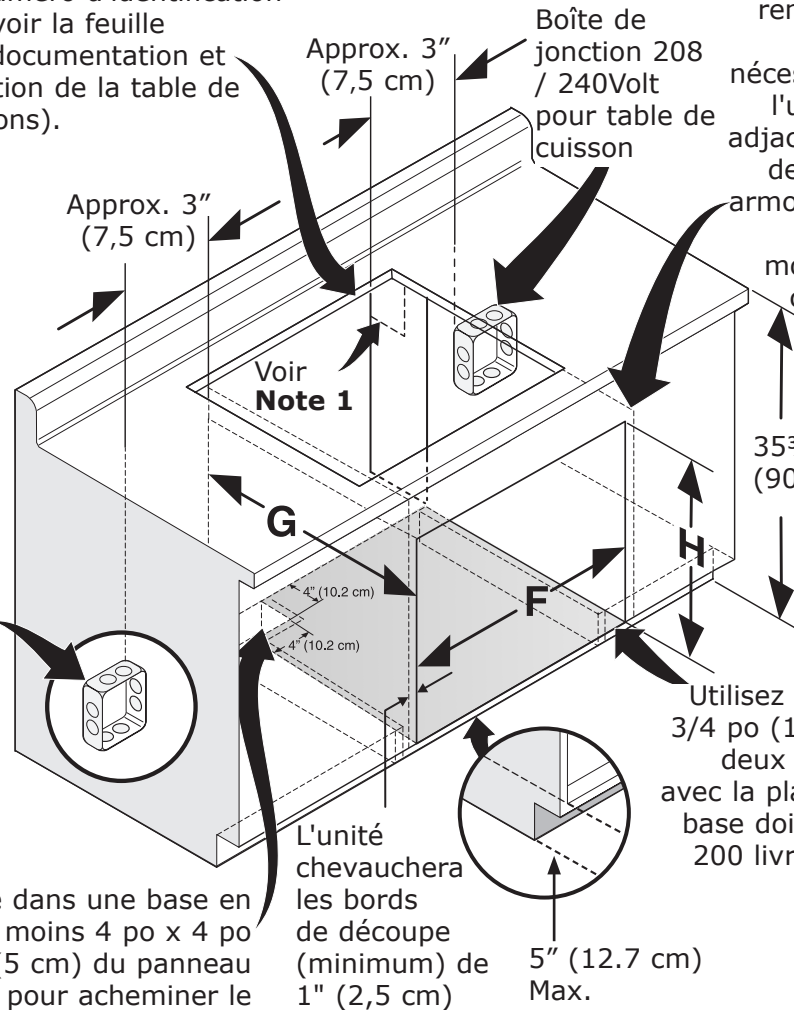
Seuls certains modèles de plaques de cuisson peuvent être installés sur certains modèles de fours électriques intégrés. Les tables de cuisson et les fours encastrables approuvés sont répertoriés par le numéro d'identification MFG et le code produit (voir la feuille d'encart incluse dans la documentation et les instructions d'installation de la table de cuisson pour les dimensions).

Remarque 1: ouverture de 4 po x 4 po (10,2 x 10,2 cm) pour acheminer le câble blindé de la table de cuisson à la boîte de jonction.

Des panneaux de remplissage latéraux de l'armoire sont nécessaires pour isoler l'unité des armoires adjacentes. La hauteur de remplissage côté armoire doit permettre l'installation de modèles de table de cuisson approuvés

AVERTISSEMENT!

Pour réduire le risque de blessures et de basculement du four mural, le four mural doit être fixé à l'armoire ou aux armoires par des vis de montage.



Découpez une ouverture dans une base en bois d'au moins 4 po x 4 po (10,2 x 10,2 cm), 2 po (5 cm) du panneau de remplissage gauche, pour acheminer le câble blindé vers la boîte de jonction.

DIMENSIONS DE DÉCOUPE			
	F. WIDTH	G. PROFONDEUR	H. HAUTEUR
30" (76,2 cm) Four mural	28 1/2" (72,4 cm) Min. 29" (73,7 cm) Max.	23 1/2" (59,7 cm) Min.	27 1/4" (69,2 cm) Min. 28 1/4" (71,8 cm) Max.

Figure 12- INSTALLATION TYPIQUE SOUS-COMPTOIR D'UNE SEULE FOUR ÉLECTRIQUE INTÉGRÉ AVEC UNE TABLE DE CUISSON ÉLECTRIQUE MONTÉE AU-DESSUS

